

TPC6000-D173-L

■ Features

- ◆ 17 "SXGAFanless Industrial Panel PC
- ◆ Supports 12 ~24V DC power input
- ◆ Fanless design, front panel IP65 compliant
- ◆ Supports panel mounted and VESA mounted

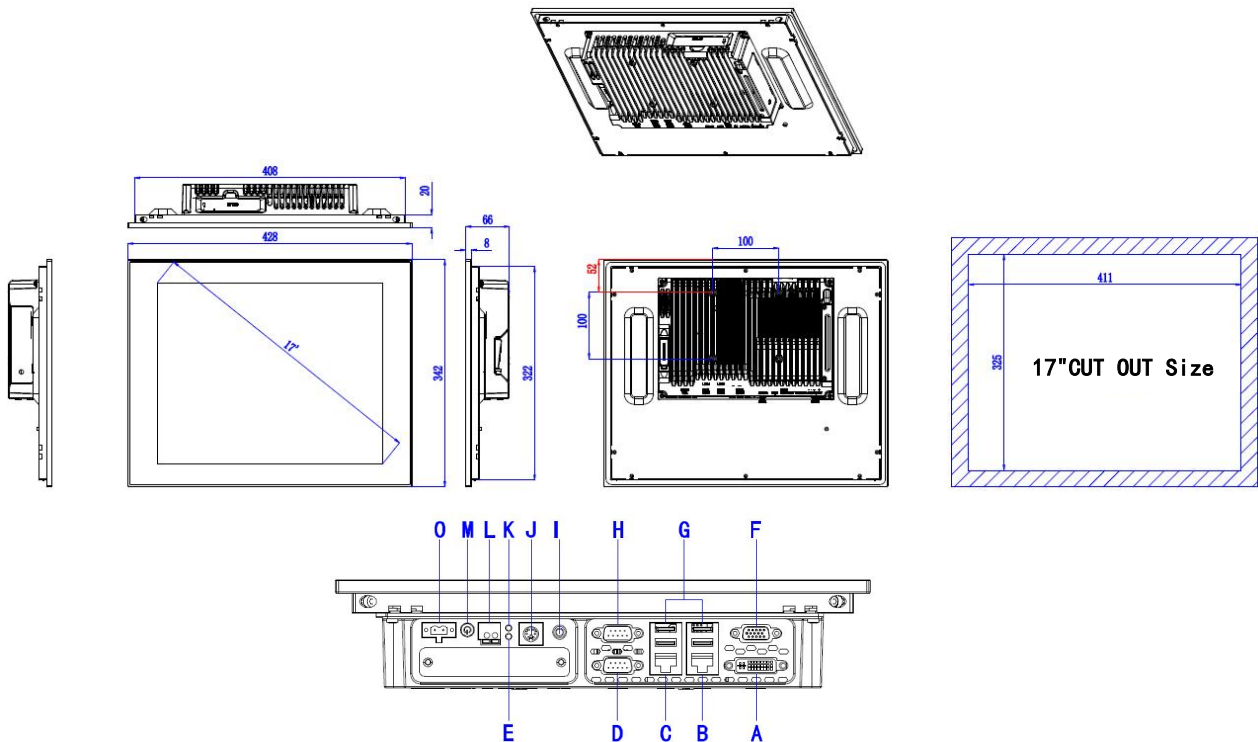


■ Specifications



Model Name		TPC6000-D173-L			
System	CPU	Intel J1900 Quad Celeron 2.0GHz	Intel J6412 Quad Celeron 2.0GHz	Intel Processor N97 up to3.6GHz	Intel Core i3-N305 up to3.8GHz
	Memory	1*DDR3L1600MHZ up to 8GB	1*DDR4 2400MHz up to 16GB	1*DDR5-4800MHz up to 16GB	1*DDR5-4800MHz up to 16GB
	Storage	1 x 2.5" SATA bay + 1 x mSATA			
	USB	1 x USB3.0 3 x USB2.0	2 x USB3.0 2 x USB2.0	2 x USB3.0 2 x USB2.0	2 x USB3.0 2 x USB2.0
	COM	2 X RS-232 (RS-485 optional) port with surge protection			
	LAN	2 x Intel 1000Mbps RJ-45			
	Rear I/O	1x DVI/ 2 x GLAN / 4 x USB / 2 x COM / 1 x PS2 / 1 x Line-out (except J1900)			
	Expansion Slot	1 x Mini-PCIe slot, expandable 4G//WIFI, 1 x EasyBUS slot			
LCD	LCD Size	17" SXGA			
	Resolution	1280 x 1024			
	Luminance	250cd/m2			
	MTBF	30000hrs			
	Contrast Ratio	1000 : 1			
	Viewing Angle	(L) 85 / (R) 85 / (T) 80 / (B) /80			
Touch screen	Type	Resistive touch screen			
	Transmittance	≥ 75%			
	Controller Interface	USB			
OS Support	Microsoft Windows	Windows10, Linux			
Power	Input voltage	DC 12~24V			
	Maximum Power	<60Watt			
Chassis	Structure	Ultra-compact and fanless design, front panel IP65 compliant			
	Dimensions (W x H x D)	428mm x 342mm x 66mm			
	Cut Out Size(W x H)	411mm x 325mm			
	Net Weight	5.54kg			
Environment	Work Temperature	0 ~ 50°C			
	Storage Temperature	-20 ~ 60°C			
	Relative Humidity	5~95% @40° (non-condensing)			
	Vibration	SSD applied:1.5Grms, IEC 60068-2-64, random, 5~500Hz, 1 hr/axis			
	Shock	SSD applied:10G, IEC 60068-2-27, Half sine wave, lasting 11ms			
	EMC	CE/FCC Class A			

■ Dimensions: Unit: mm



- A: DVI
- E: Power LED
- I: Line OUT
- M: Power
- B: LAN1
- F: VGA
- J: PS2
- O: DC IN
- C: LAN2
- G: USB
- K: HDD LED
- D: COM1
- H: COM2
- L: SW

■ Ordering Information:

Model Name	Description
TPC6000-D173-L-BTJ1900	17"LCD/Intel J1900 Quad Core 2.0GHz CPU/ No Memory / No Hard /2*RS-232/485(Optional) / 2*LAN /1*USB3.0/ 3*USB2.0/1024*768/DC12V-24V input
TPC6000-D173-L-J6412	17"LCD/Intel J6412 2.0GHz Quad Core CPU/ No Memory / No Hard /2*RS-232/485(Optional) / 2*LAN /2*USB3.0/2*USB2.0/1024*768/DC12V-24V input
TPC6000-D173-L-N97	17"LCD/Intel N97 CPU/ No Memory / No Hard /2*RS-232/485(Optional) / 2*LAN /2*USB3.0/2*USB2.0/1024*768/DC12V-24V input
TPC6000-D173-L-N305	17"LCD/Intel N305 CPU/ No Memory / No Hard /2*RS-232/485(Optional) / 2*LAN /2*USB3.0/2*USB2.0/1024*768/DC12V-24V input

■ Option Items:

Option	Specifications
Expansion card	4G/3G module (optional EC20, EC25, EG25. .) MINI PCIE
DDR3L (J1900)	4GB, 8GB
DDR4 (J6412)	4G, 8GB, 16GB
DDR5 (N97, N305)	8GB, 16GB
mSATA	128GB, 256GB, 512GB. . .

Note: If the system provides some optional parts, additional certification of system compatibility may be required in some regions/countries, please contact NODKA for system compatibility.