



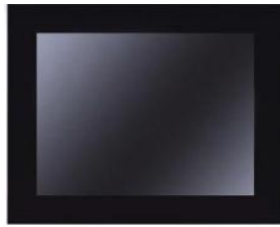
**TPC6000-C123W-L v1.0**

---

## **Industrial Panel PC**

12.1 " SVGA Fanless Industrial Panel PC  
Support Intel® Celeron J1900/ J6412/ 4205U  
Support Intel® Core™ i3-8145U / i5-7200U





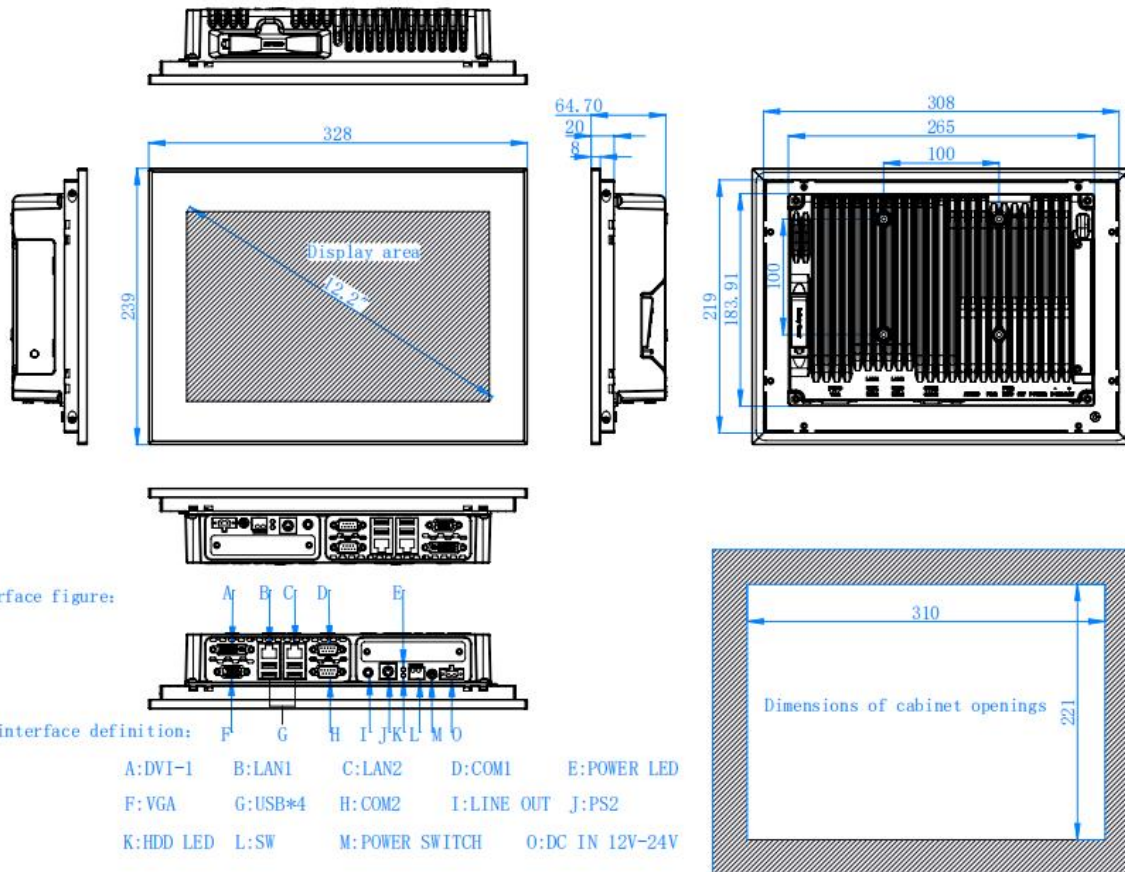
**Specifications:**



Processor	CPU	J1900	J6412	4205U	i3-8145U	i5-7200U
	Base Frequency	Quad Core 2.0GHz		Dual Core 1.8GHz	Dual Core 2.1 GHz	Dual Core 2.5GHz
	L3 Cache	2MB	1.5MB	2MB	4MB	3MB
	Chipset	Integrated PCH-LP				
	Memory	1*DDR3L-1600, max 8GB / 1*DDR4 2400MHz, max 16GB				
	Storage Medium	1 x 2.5" SATA bay + 1 x mSATA				
I/O	LAN	2 x Intel 1000Mbps RJ-45 Ethernet interface				
	Audio	Optional				
	USB	4 x USB3.0/2.0/1.1				
	COM	2 x RS-232 / RS-485 interface				
	Expansion slot	1 x Mini-pcie slot, expandable 3G, WIFI wireless card, 1 x EasyBUS slot				
	Rear I/O	DVI-I / 2 x GLAN / 4 x USB / 2 x COM / 2 x PS2 / Line-out / Mic-in				
Physical	Dimensions (W x H x D)	328mm*239mm*64.7mm				
	Cut Out Size (W x H)	310mm*221mm				
	NW	3.54kg (7.80 lb)				
OS	OS	Windows 7, Windows 7 Embedded, Windows8, Windows10, Ubuntu, VXWORKS, QNX				
Power	Input voltage	12-24VDC ±10% , support reverse polarity protection, overvoltage protection, overcurrent protection				
	Maximum Power Dissipation	37W				
LCD	LCD Size	12.1" XGA TFT				
	Resolution	1280×800				
	Colors	16.7MB				
	Active Area (W×H)	261.12mmx 163mm(10.28" x 6.42")				
	Backlight	LED				
	MTBF	50000hrs				
	Pixel Pitch	0.204x 0.204				
	Luminance	400cd/m2				
	Contrast Ratio	1000:1				
Viewing Angle	(L) 88 / (R) 88 / (T) 88 / (B) 88					
Touchscreen	Type	Multi-point capacitive touch screen				
	Transmittance	> 87%				
	Controller interface	USB				
	Driver Support	Windows XP, Windows 7, Windows 8, Windows 10, Linux				
	Multi-touch	10 points (windows system)				
Surface Hardness	Mohs' 7H					
Environmental	Work Temperature	-20~60°C (-4~140°F)				
	Storage Temperature	-30~80°C (-22~176°F)				
	Relative humidity	5~95%@40°C(non-condensing)				
	Vibration	Operating Random Vibration Test 5~500Hz, 1.5Grms@with SSD, follow IEC 60068-2-64				
	Shock	Operating 10G peak acceleration (11ms duration), follow IEC 60068-2-27				
	EMC	CE/FCC Class B				
Front Panel Protection	IP65 compliant					

Dimensions:

Unit: mm



Ordering Information:

Product Code	Description
TPC6000-C123W-L-J1900	12.1"LCD/Intel J1900 Quad Core 2GHz CPU/ No Memory / No Hard /2*RS-232/485(Optional) / 2*LAN /4*USB3.0/ 1280*800/DC12V-24V
TPC6000-C123W-L-WL4205U	12.1"LCD/Intel 4205U Dual Core 1.8GHz CPU/No Memory/No Hard /2*RS-232/485(Optional) / 2*LAN /4*USB3.0/ 1280*800/DC12V-24V input
TPC6000-C123W-L- WL8145U	12.1"LCD/Intel 8145U Dual Core 2.1 GHz CPU/NoMemory/No Hard /2*RS-232/485(Optional) / 2*LAN /4*USB3.0/ 1280*800/DC12V-24V
TPC6000-C123W-L-SL7200U	12.1"LCD/Intel 7200U Dual Core 2.5GHz CPU/NoMemory/ No Hard /2*RS-232/485(Optional) / 2*LAN /4*USB3.0/ 1280*800/DC12V-24V
TPC6000-C123W-L- J6412	12.1"LCD/Intel J6412 Quad Core 2.0GHz CPU/ NoMemory/No Hard /2*RS-232/485(Optional) / 2*LAN /4*USB3.0/ 1280*800/DC12V-24V