



**TPC6000-C122W-L** v1.0

---

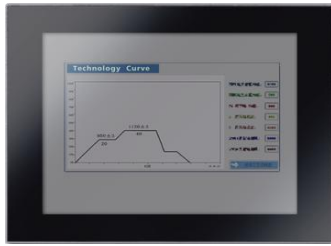
## Industrial Panel PC

12.1 " SVGA Fanless Industrial Panel PC

Support Intel® Celeron J1900

Support Intel® Atom® E3845





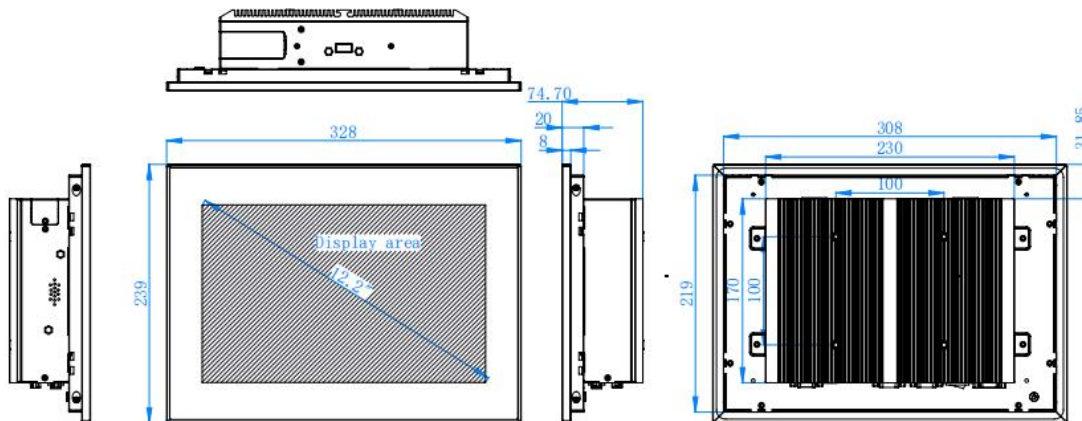
## Specifications:



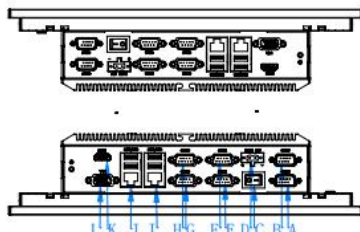
Processor	CPU	Intel®Celeron J1900/Intel®Atom® E3845
	Base Frequency	Quad core 2.0GHz/ Quad core 1.91GHz
	L3 Cache	2MB/2MB
	Memory	1 x 204-pin SODIMM DDR3L-1333MHz support up to 8GB
	Storage Medium	1 x 2.5" SATA bay + 1 x mSATA
I/O	LAN	2 x Realtek 1000Mbps RJ-45 Ethernet interface
	Audio	Optional
	USB	1 x USB3.0/2.0/1.1, 3 x USB2.0/1.1
	COM	2 x RS-232 / RS-485 interface
	Expansion slot	1 x Mini-PCIe slot, extensible 3G,WIFI wireless card 1 x EasyBUS slot ( option 2x RS232/485/DIO/2x USB/2x LAN)
	Rear I/O	VGA / HDMI / 2 x GLAN / 4 x USB / 6 x COM
Physical	Dimensions (W x H x D)	328mm*239mm*74.7mm
	Cut Out Size (W x H)	310mm*221mm
	NW	3.34kg
OS	OS	Windows 7, Windows 7 Embedded, Windows8, Windows10, Ubuntu, VXWORKS, QNX
Power	Input voltage	DC 12V,support reverse polarity protection, +9~+30V (Option)
	Maximum Power Dissipation	36.6Watt
LCD	LCD Size	12.1" SVGA TFT
	Resolution	1280×800
	Colors	16.7MB
	Active Area (W×H)	261.12mmx 163mm(10.28" x 6.42")
	Backlight	LED
	MTBF	50000hrs
	Pixel Pitch	0.204x 0.204
	Luminance	400cd/m2
	Contrast Ratio	1000:1
	Viewing Angle	(L) 88 / (R) 88 / (T) 88 / (B) 88
Touchscreen	Type	Multi-point capacitive touch screen
	Transmittance	> 87%
	Controller interface	USB
	Driver Support	Windows XP, Windows 7, Windows 8, Windows 10, Linux
	Multi-touch	10 points (windows system)
	Surface Hardness	Mohs' 7H
Environmental	Work Temperature	-20~60°C (-4~140°F)
	Storage Temperature	-30~80°C (-22~176°F)
	Relative humidity	5~95%@40°C(non-condensing)
	Vibration	Operating Random Vibration Test 5~500Hz, 1.5Grms@with SSD, follow IEC 60068-2-64
	Shock	Operating 10G peak acceleration (11ms duration), follow IEC 60068-2-27
	EMC	CE/FCC Class B
	Front Panel Protection	IP65 compliant

## Dimensions:

Unit: mm

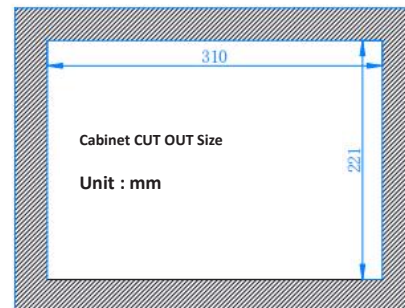


Interface figure:



The interface definition:

A:COM6	B:COM5	C:POWER SWITCH	D:DC IN 12V
E:COM1	F:COM2	G:COM3	H:COM4
I:LAN1/USB	J:LAN2/USB	K:HDMI	L:VGA



## Ordering Information:

Product Code	Description
TPC6000-C122W-L	12.1"LCD/Intel J1900/E3845 CPU/ No memory/No Hard/2*RS-232/485(Optional) /Capacitive touch screen/ 2*LAN /4*USB2.0/1280 x 800/DC12V

## Optional Items:

Adapter	Input: 100~240V~50/60Hz 1.7A Output:+12.0V—5A,60Watt
Memory	DDR3 2G/4G/8G, max to 8G
Storage	Mini SATA SSD: 32G/64G/128G/256G/512G... 2.5" SSD: 32G/64G/128G/256G/512G... 2.5" HDD: 500G/1T...
Wifi	7260 Series
3G/4G module	EC20, EC25, EG25...