

TPC6000-A152

15-inch Intel Bay trail fanless industrial panel PC

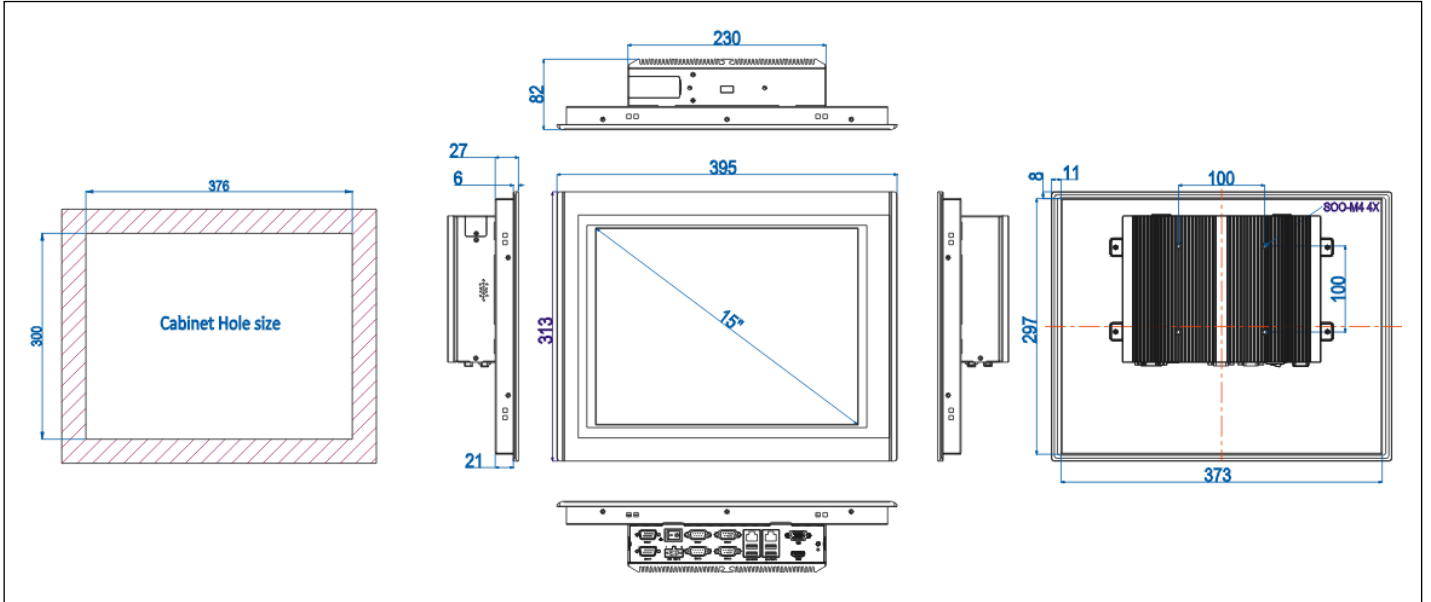
Touch Panel PC



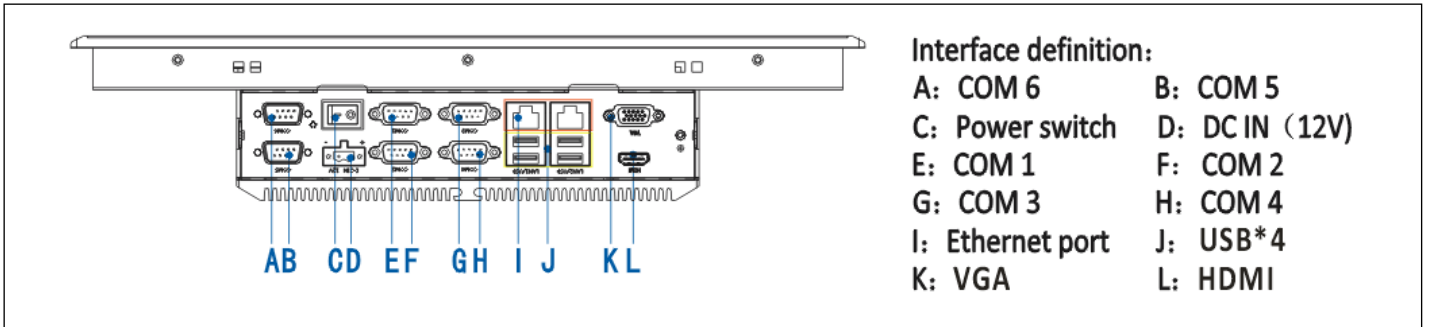
Specifications

System		Institutional	
Processor	: Onboard Intel Bay trail J1900/E3845 quad-core processor, clock 2.0/1.9GHz	Front Panel	: Aluminum-magnesium alloy die-casting, cover with PET film, IP65 degree of protection
Chipset	: Intel Bay trail SOC (TDP10W)	Box structure	: High-strength sheet metal structure, high temperature paint handling
Memory	: Support DDR3 2G/4G/8G memory	Cooling mode	: Large area designed finned heat sinks
Hard disk	: Support SATA 2.5 "SSD, HDD and mSATA	Mounting	: Supports Panel and VESA mounting
Display	: Integrated Graphics, support VGA&HDMI	Overall size	: 395×313×82mm(W×H×D)
Watchdog	: Programmable from 1 to 25 seconds	Case Size	: 373×297×76mm(W×H×D)
OS	: Win7/Win8/WES7/Linux/Android	Hole Size	: 376×300mm(W×H)
I/O port		Weight	: 4.83kg
LAN	: 2 Realtek RTL8111F 1000 Mbps Ethernet port	Touch screen	
COM	: 6 RS232 (COM1, COM5 and COM6 optional RS485)	Size / Type	: 15 inch High Temperature five-wire resistive screen
USB	: 1 USB 3.0 and 3 USB2.0 ports	Resolution	: 4096x4096
Speaker	: Built-in small Speaker	Click life	: 250g efforts, 35 million times
Expansion	: 1 Mini-PCIe slots, scalable 3G, Wifi card	Draw life	: 250g efforts, 5 million times
Other I/O	: Power switch, DC IN, VGA, HDMI	Transmittance	: More than 81%
LCD		Power and Environmental	
Size / Type	: 15" TFT LCD	Working tem.	: 0~+50°C (Electronic disk)
Resolution	: 1024×768	Storage tem.	: -30~+70°C
Backlit	: LED with MTBF 30000 hours	Relative humidity	: 10~95%@40°C (No condensation)
Brightness	: 450cd/sqm	Vibrating	: 50~500Hz, 1.5G, 0.15mm Peak to peak
Display area	: 304.13×228.10mm	Shock	: 10G/peak (11ms sec)
		Power in	: DC 12V
		Consumption	: 22 watt

Dimensions



I/O definition



Ordering Information

- TPC6000-A152-T : 15 inch TFT LCD/Resolution 1024x768/Resistive touch screen/J1900/E3845 CPU/2*LAN/1*USB3.0/3*USB2.0/5*RS232/1*RS232 or RS485/1*HDMI/1*VGA/DC12V
- TPC6000-A152-TW : 15 inch TFT LCD/Resolution 1024x768/Resistive touch screen/J1900/E3845 CPU/2*LAN/1*USB3.0/3*USB2.0/5*RS232/1*RS232 or RS485/1*HDMI/1*VGA/WIFI/DC12V
- TPC6000-A152-TA : 15 inch TFT LCD/Resolution 1024x768/Resistive touch screen/J1900/E3845 CPU/2*LAN/1*USB3.0/3*USB2.0/4*RS232/1*RS232 or RS485/1*RS485/1*HDMI/1*VGA/DC12V
- TPC6000-A152-TAW : 15 inch TFT LCD/Resolution 1024x768/Resistive touch screen/J1900/E3845 CPU/2*LAN/1*USB3.0/3*USB2.0/4*RS232/1*RS232 or RS485/1*RS485/1*HDMI/1*VGA/WIFI/DC12V
- TPC6000-A152-TB : 15 inch TFT LCD/Resolution 1024x768/Resistive touch screen/J1900/E3845 CPU/2*LAN/1*USB3.0/3*USB2.0/3*RS232/1*RS232 or RS485/2*RS485/1*HDMI/1*VGA/DC12V
- TPC6000-A152-TBW : 15 inch TFT LCD/Resolution 1024x768/Resistive touch screen/J1900/E3845 CPU/2*LAN/1*USB3.0/3*USB2.0/3*RS232/1*RS232 or RS485/2*RS485/1*HDMI/1*VGA/WIFI/DC12V

If you need memory and hard disk, please contact with sales, for example, with DDR3 2G memory and SSD16G:

- TPC6000-A152-TA-2G-SSD16G : 15 inch TFT LCD/Resolution 1024x768/Resistive touch screen/J1900/E3845 CPU/2*LAN/1*USB 3.0/3*USB 2.0/4*RS232/1*RS232 or RS485/1*RS485/1*HDMI/1*VGA/DDR3 2G/SSD16G/DC12V