

# TPC-CXXX-S-J6412&N97&12th Gen

## ■ Features

- ◆ 10.4"/12.1"/15"/15.6"/17"/18.5"/19"/21.5"/23.8"
- ◆ Intel® Processor J6412,N97,i3/i5/i7...
- ◆ 1xDDR4-3200MHz SO-DIMM slot,up to 16GB
- ◆ Supports 12 -24V DC power input
- ◆ Fanless design,front panel IP65 compliant
- ◆ Supports panel mounted and VESA mounted



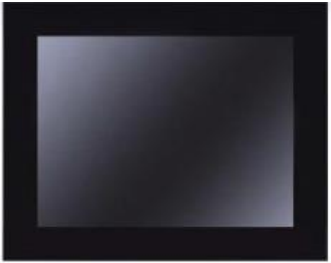
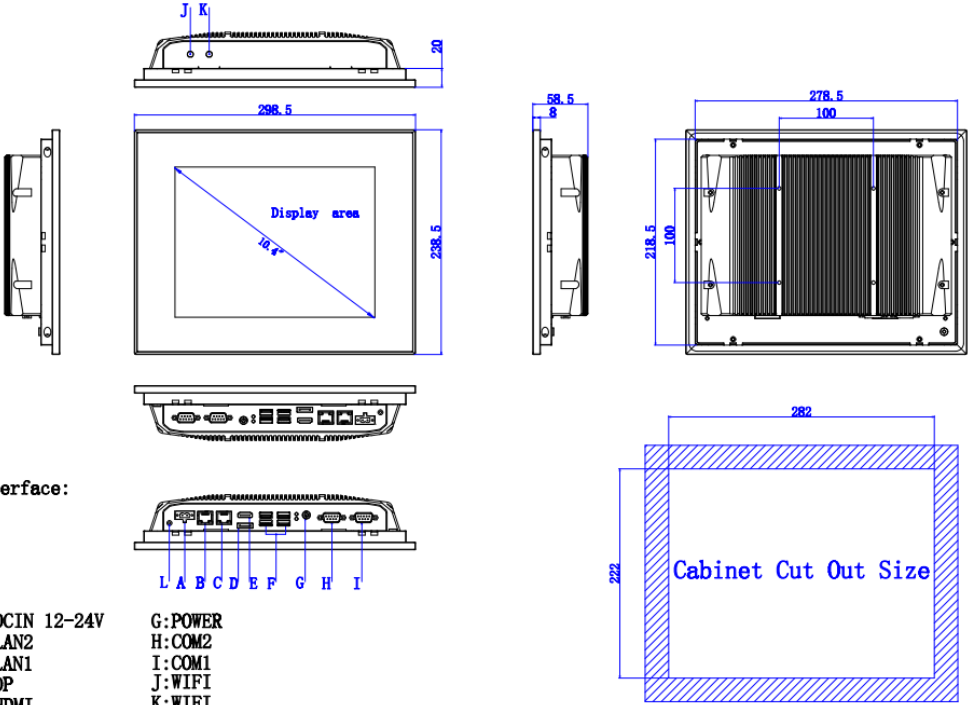
## ■ Specifications



Model Name	TPC-C104	TPC-C121	TPC-C121W	TPC-C150	TPC-C156	TP-C156H	
System	CPU	Intel® Processor Celeron J6412, Quad-core,base frequency 2.0GHz,TDP 10W Intel® Processor N-series N97, Quad-core,base frequency 2.0GHz,TDP 12W Intel® Processor Core™ i5-7200U/i7-7500U/i3-1215U/i5-1235U/i7-1255U					
	Memory	1 x DDR4-3200MHz SO-DIMM slot,up to 16GB					
	Storage	1 x M.2-2242 M Key SSD slot(SATA 3.0)					
	USB	2 x USB3.0 /2 x USB2.0					
	COM	2 X RS-232 (COM1,RS-485 optional)					
	LAN	2 x GbE(RJ45),Realtek 8111H controller. (N97/1235U CPU:2 x GbE(RJ45),Intel i210-AT controller)					
	Rear I/O	1 x POWER/1 x DC IN /1 x HDMI/1 x VGA /1 x AUDIO					
	Expansion Slot	1 x Mini-PCle slot, expandable 4G/WIFI					
LCD	LCD Size	10.4" TFT LCD	12.1" TFT LCD	12.1" TFT LCD	15" TFT LCD	15.6" TFT LCD	15.6" FHD TFT LCD
	Resolution	1024 x 768	1024 x 768	1280 x 800	1024 x 768	1366 x 768	1920 x 1080
	Luminance	450cd/m2	350cd/m2	400cd/m2	350cd/m2	400cd/m2	250cd/m2
	MTBF	50000hrs	30000hrs	50000hrs	50000hrs	50000hrs	30000hrs
	Contrast Ratio	1100: 1	800: 1	1000: 1	1000: 1	800: 1	800: 1
Touch screen	Type	Multipoint capacitive touch screen					
	Ransmittance	≥ 87%					
	Controller Interface	USB 2.0					
OS	OS Support	Windows10, Linux					
Power	Input voltage	DC 12~24V					
	Maximum Power	<60Watt					
Chassis	Structure	Ultra-compact and fanless design, front panel IP65 compliant					
	Dimensions (W x H x D)	298.5mm x 238.5mm x 58.5mm	321mm x 247mm x 58.5mm	328mm x 239mm x 58.5mm	371mm x 295mm x 58.5mm	405mm x 258mm x 58.5mm	405mm x 258mm x 58.5mm
	Cut Out Size(W x H)	282mm x 222mm	304mm x 230mm	311mm x 222mm	354mm x 278mm	388mm x 241mm	388mm x 241mm
	Net Weight	3.4kg	3.54kg	3.54kg	4.54kg	4.7kg	4.7kg
Environment	Work Temperature	0 ~ 50°C					
	Storage Temperature	-20 ~ 60°C					
	Relative Humidity	5~95% @40° (non-condensing)					
	Vibration	SSD applied:1.5Grms,IEC 60068-2-64,random,5~500Hz,1 hr/axis					
	Shock	SSD applied:10G,IEC 60068-2-27, Half sine wave, lasting 11ms					
EMC	CE/FCC CLASS A						

Model Name		TPC-C170	TPC-C185	TPC-C185H	TPC-C190	TPC-C215W	TP-C238
LCD	LCD Size	17" TFT LCD	18.5" TFT LCD	18.5" FHD TFT LCD	19" TFT LCD	21.5" FHD TFT LCD	23.8" FHD TFT LCD
	Resolution	1280 x 1024	1366 x 768	1920 x 1080	1280 x 1024	1920 x 1080	1920 x 1080
	Luminance	250cd/m <sup>2</sup>	250cd/m <sup>2</sup>	350cd/m <sup>2</sup>	250cd/m <sup>2</sup>	250cd/m <sup>2</sup>	250cd/m <sup>2</sup>
	MTBF	30000hrs	30000hrs	50000hrs	30000hrs	30000hrs	30000hrs
	Contrast Ratio	1000: 1	1000: 1	1200: 1	1000: 1	1000: 1	3000: 1
Touch screen	Type	Multipoint capacitive touch screen					
	Transmittance	≥ 87%					
	Controller Interface	USB 2.0					
OS	OS Support	Windows 10, Linux					
Power	Input voltage	DC 12~24V					
	Maximum Power	<60Watt					
Chassis	Structure	Ultra-compact and fanless design, front panel IP65 compliant					
	Dimensions (W x H x D)	428mm x 342mm x 58.5mm	480mm x 304mm x 58.5mm	480mm x 304mm x 58.5mm	460mm x 369mm x 58.5mm	550mm x 342mm x 58.5mm	602.8mm x 372.2mm x 58.2mm
	Cut Out Size (W x H)	411mm x 325mm	463mm x 287mm	463mm x 287mm	443mm x 352mm	533mm x 325mm	586mm x 355mm
	Net Weight	5.54kg	5.84kg	5.84kg	6.42kg	7.3kg	8kg
Environment	Work Temperature	0 ~ 50°C					
	Storage Temperature	-20 ~ 60°C					
	Relative Humidity	5~95% @40° (non-condensing)					
	Vibration	SSD applied: 1.5Grms, IEC 60068-2-64, random, 5~500Hz, 1 hr/axis					
	Shock	SSD applied: 10G, IEC 60068-2-27, Half sine wave, lasting 11ms					
	EMC	CE/FCC CLASS A					

## Dimensions: Unit: mm

**Interface:**

A: DCIN 12-24V	G: POWER
B: LAN2	H: COM2
C: LAN1	I: COM1
D: DP	J: WIFI
E: HDMI	K: WIFI
F: USB	L: GND

Dimensions: Unit: mm

**Interface:**

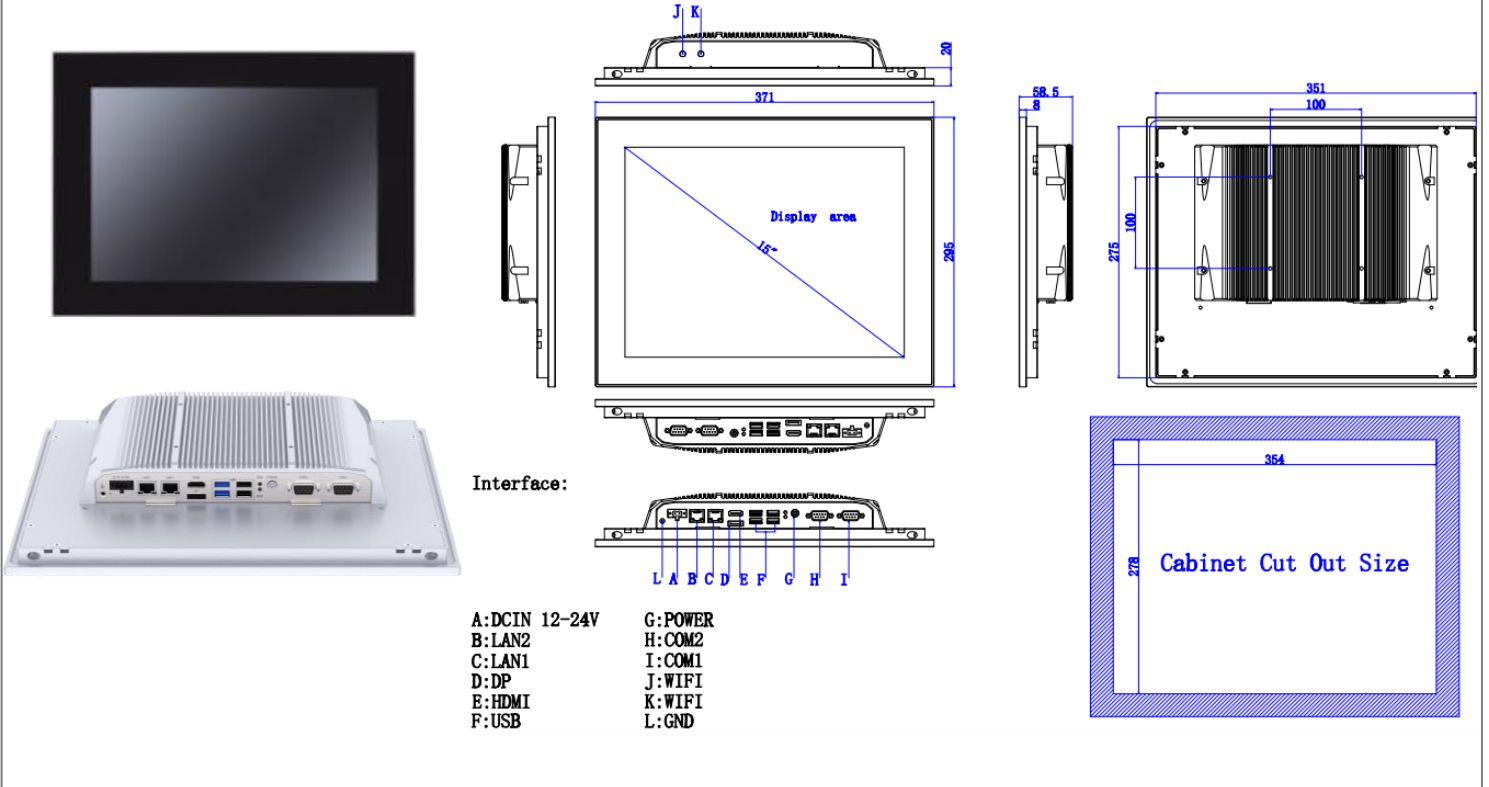
A:DCIN 12-24V	G:POWER
B:LAN2	H:COM2
C:LAN1	I:COM1
D:DP	J:WIFI
E:HDMI	K:WIFI
F:USB	L:GND

Dimensions: Unit: mm

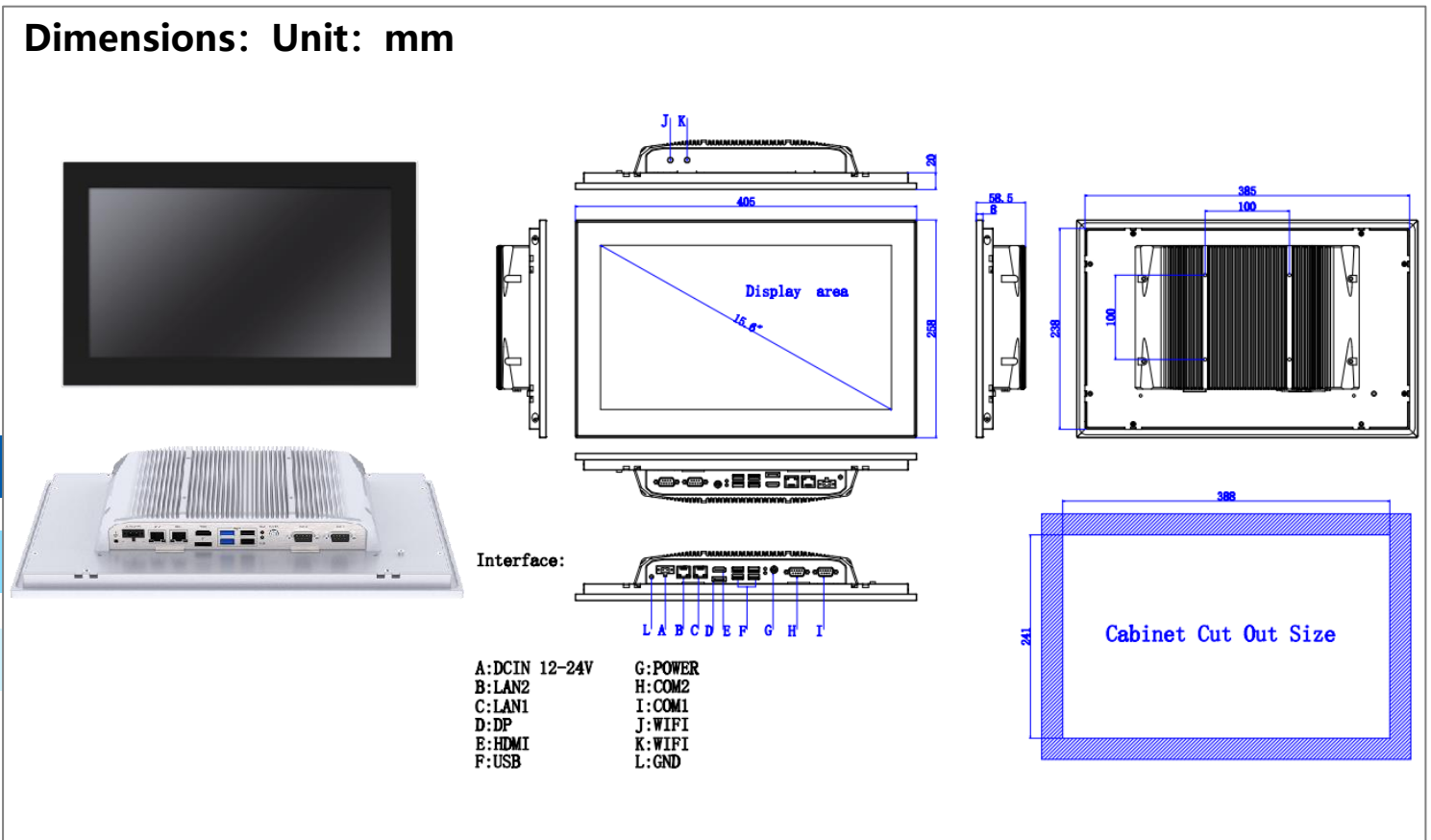
**Interface:**

A:DCIN 12-24V	G:POWER
B:LAN2	H:COM2
C:LAN1	I:COM1
D:DP	J:WIFI
E:HDMI	K:WIFI
F:USB	L:GND

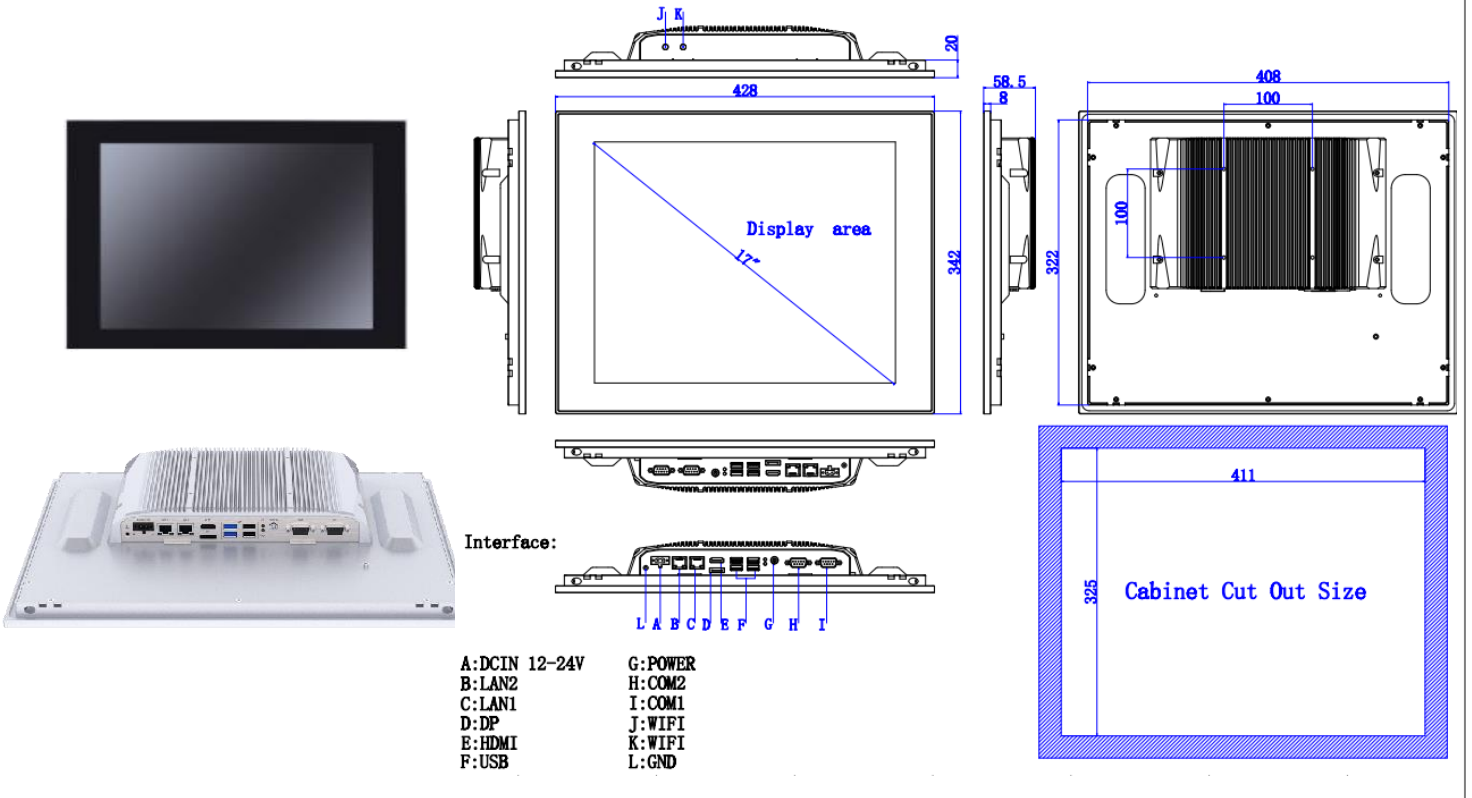
Dimensions: Unit: mm



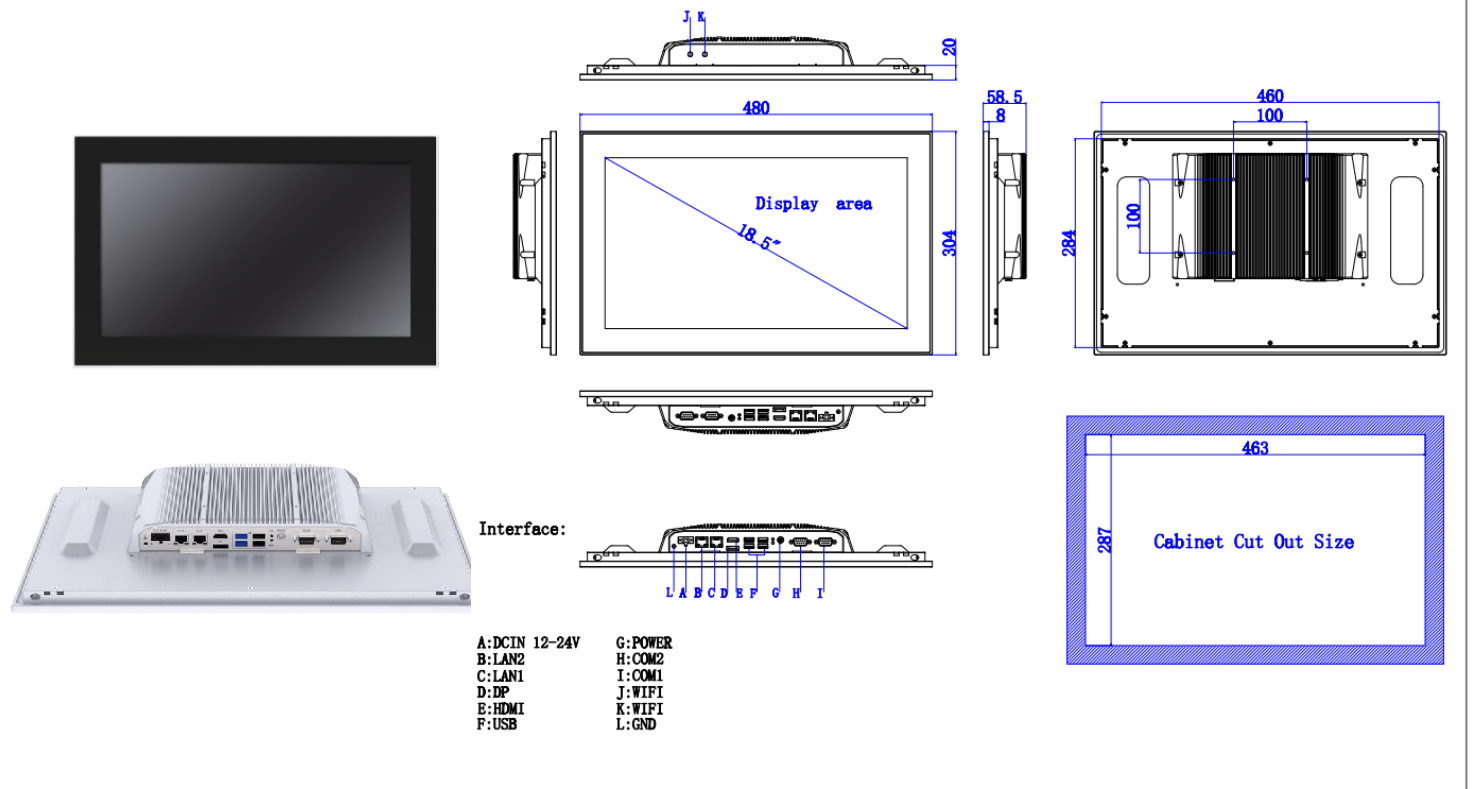
Dimensions: Unit: mm



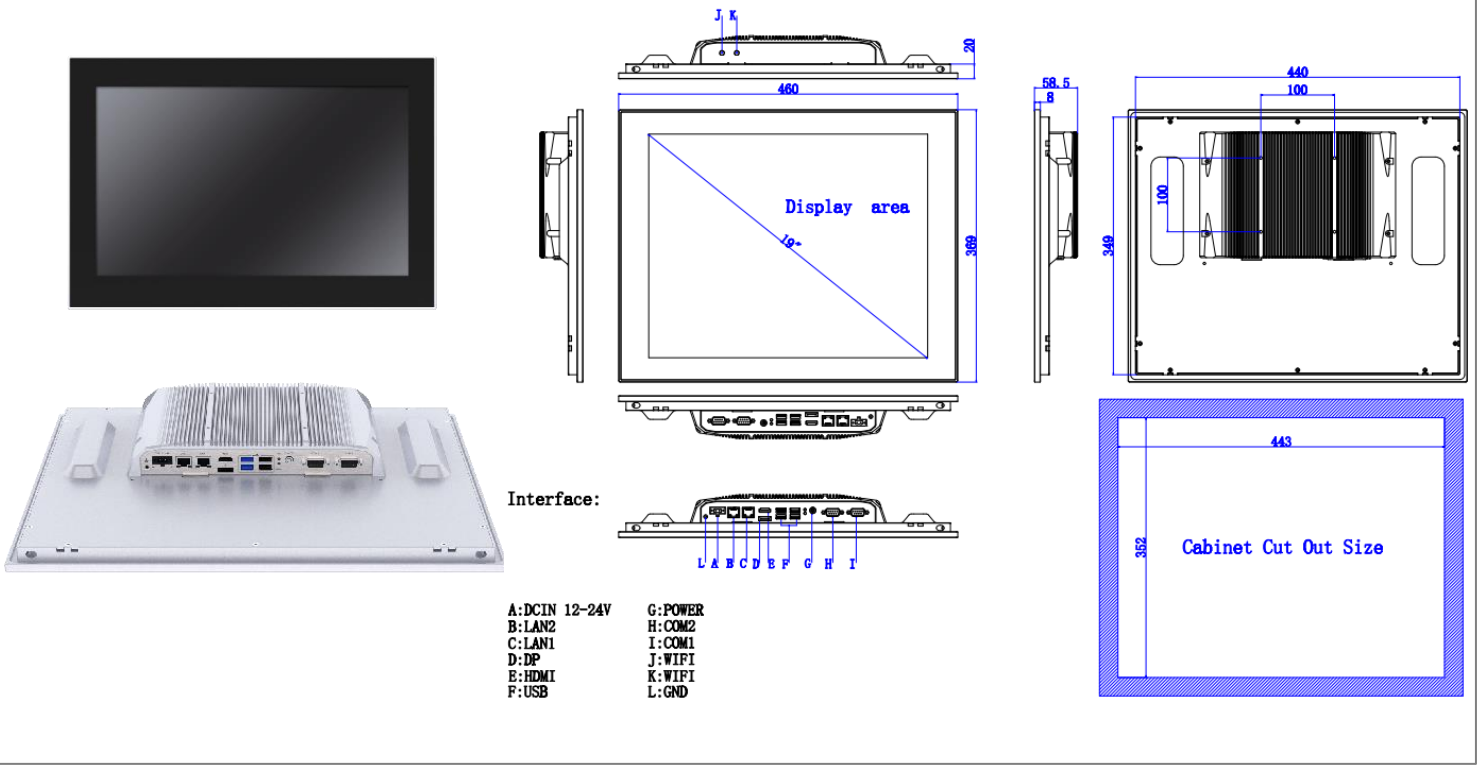
Dimensions: Unit: mm



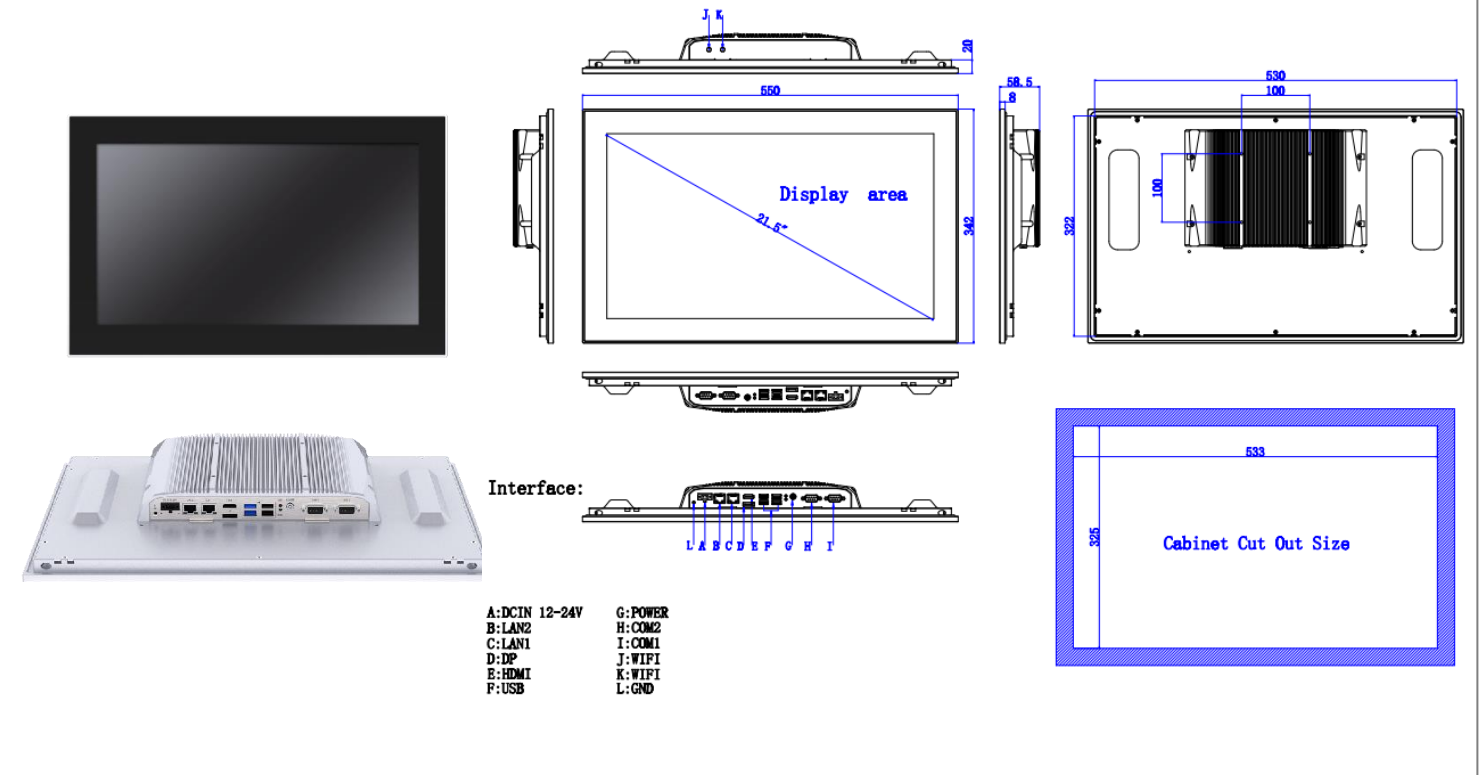
Dimensions: Unit: mm



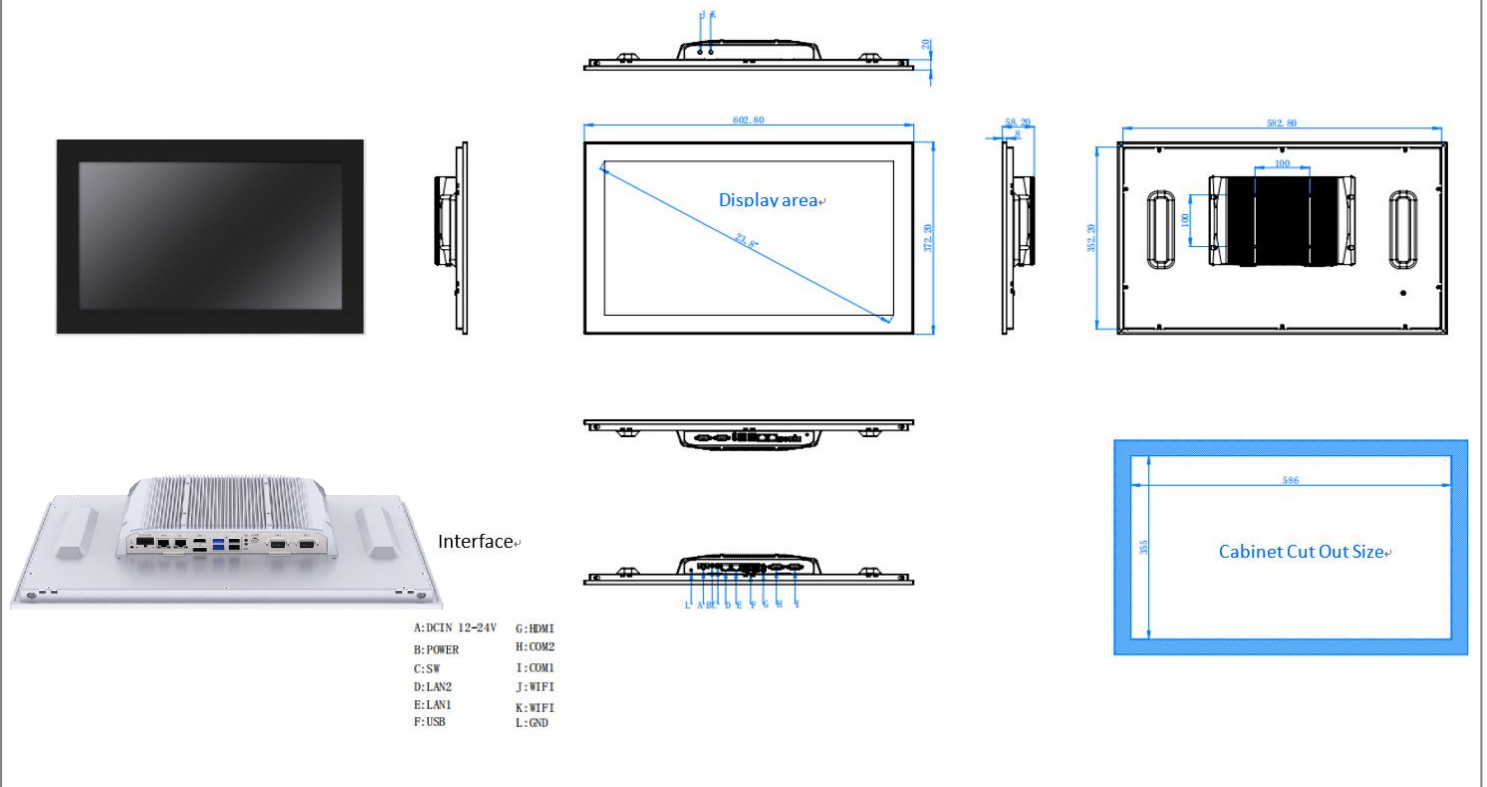
Dimensions: Unit: mm



Dimensions: Unit: mm



Dimensions: Unit: mm



■ Ordering Information:

Model Name	Description
TPC-C104H-S	10.4"LCD/Intel CPU/ No Memory / No Hard /2*RS-232/(COM1,RS-485 optional)/ 2*LAN /2*USB3.0/2*USB2.0/1024*768/Capacitor touch screen/DC12V-24V input
TPC-C121H-S	12.1"LCD/Intel CPU/ No Memory / No Hard /2*RS-232/(COM1,RS-485 optional)/ 2*LAN /2*USB3.0/2*USB2.0/1024*768/Capacitor touch screen/DC12V-24V input
TPC-C121W-S	12.1"LCD/Intel CPU/ No Memory / No Hard /2*RS-232/(COM1,RS-485 optional)/ 2*LAN /2*USB3.0/2*USB2.0/1280*800/Capacitor touch screen/DC12V-24V input
TPC-C150-S	15"LCD/Intel CPU/ No Memory / No Hard /2*RS-232/(COM1,RS-485 optional)/ 2*LAN /2*USB3.0/2*USB2.0/1024*768/Capacitor touch screen/DC12V-24V input
TPC-C156-S	15.6"LCD/Intel CPU/ No Memory / No Hard /2*RS-232/(COM1,RS-485 optional)/ 2*LAN /2*USB3.0/2*USB2.0/1366*768/Capacitor touch screen/DC12V-24V input
TPC-C156H-S	15.6"LCD/Intel CPU/ No Memory / No Hard /2*RS-232/(COM1,RS-485 optional)/ 2*LAN /2*USB3.0/2*USB2.0/1920*1080/Capacitor touch screen/DC12V-24V input
TPC-C170-S	17"LCD/Intel CPU/ No Memory / No Hard /2*RS-232/(COM1,RS-485 optional)/ 2*LAN /2*USB3.0/2*USB2.0/1280*1024/Capacitor touch screen/DC12V-24V input
TPC-C185-S	18.5"LCD/Intel CPU/ No Memory / No Hard /2*RS-232/(COM1,RS-485 optional)/ 2*LAN /2*USB3.0/2*USB2.0/1366*768/Capacitor touch screen/DC12V-24V input
TPC-C185H-S	18.5"LCD/Intel CPU/ No Memory / No Hard /2*RS-232/(COM1,RS-485 optional)/ 2*LAN /2*USB3.0/2*USB2.0/1920*1080/Capacitor touch screen/DC12V-24V input
TPC-C190-S	19"LCD/Intel CPU/ No Memory / No Hard /2*RS-232/(COM1,RS-485 optional)/ 2*LAN /2*USB3.0/2*USB2.0/1280*1024/Capacitor touch screen/DC12V-24V input
TPC-C215W-S	21.5"LCD/Intel CPU/ No Memory / No Hard /2*RS-232/(COM1,RS-485 optional)/ 2*LAN /2*USB3.0/2*USB2.0/1920*1080/Capacitor touch screen/DC12V-24V input
TPC-C238-S	23.8"LCD/Intel CPU/ No Memory / No Hard /2*RS-232/(COM1,RS-485 optional)/ 2*LAN /2*USB3.0/2*USB2.0/1920*1080/Capacitor touch screen/DC12V-24V input

Note: If the system provides some optional parts, additional certification of system compatibility may be required in some regions/countries, please contact NODKA for system compatibility.

## ■ Option Items:

Option	Specifications
Expansion card	4G/3G module (optional EC20,EC25,EG25.. ) MINI PCIE
DDR4 Memory	4G,8GB,16GB
M.2 2242 SATA SSD	128GB.256GB,512GB...

Note: If the system provides some optional parts, additional certification of system compatibility may be required in some regions/countries, please contact NODKA for system compatibility.