



PANEL5000-C193-L

v1.1 Touch Screen Monitor



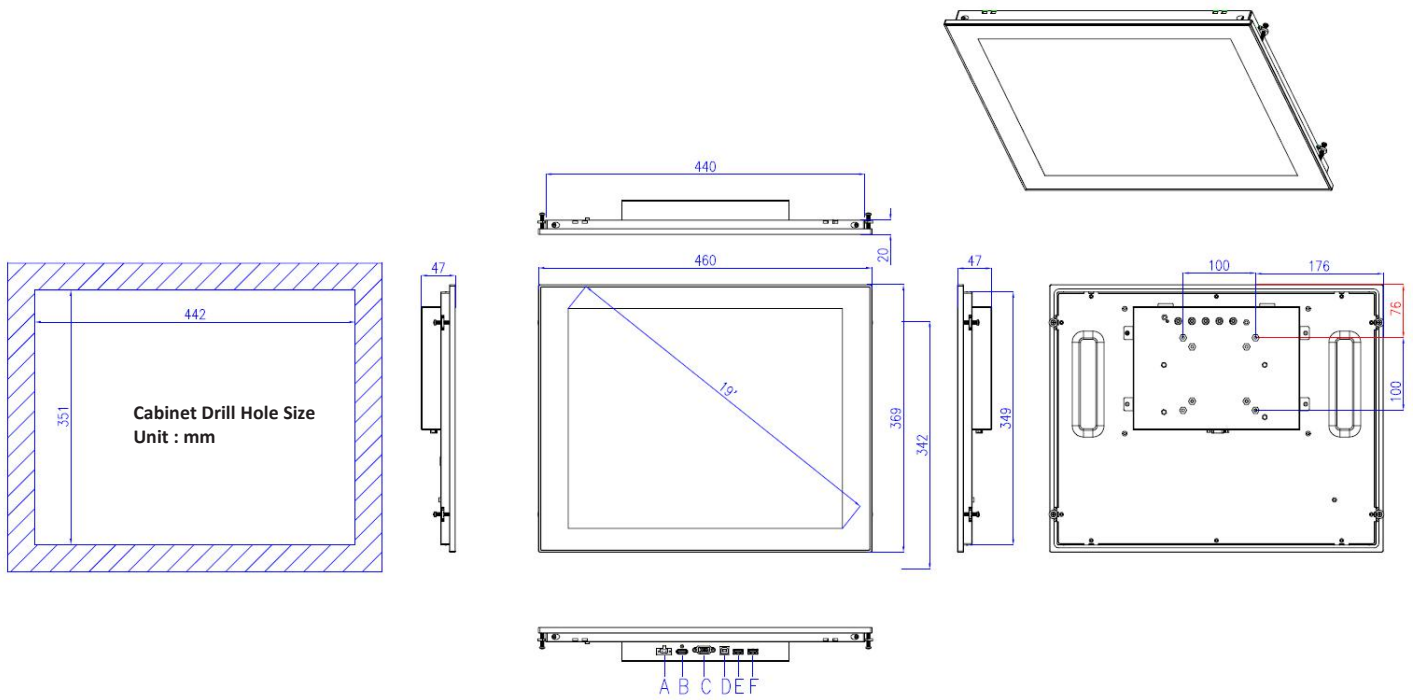
19" HD Capacitive Touch Screen
Industrial Monitor



Specifications

General	Control button	Set Contrast ratio and Luminance via OSD at the back panel
	Dimensions (W x H x D)	460mm x 369mm x 47mm (18.11" x 14.52" x 1.85")
	Drill Hole Size (W x H)	442mm x 351mm (17.40" x 13.81")
	Box structure	Front panel: aluminum-magnesium alloy, anodized coating ;Back cover: SGCC, Ground isolation protection
	Mounting	Support Embedded, wall-mounted, Desktop and VESA mounting
	Power Supply	DC 12 - 24V
	Power Dissipation	14W
	Signal input	VGA & HDMI
	NW	5.18kg (11.42lb)
LCD	LCD Size	19" HD TFT
	Resolution	1280 x 1024
	Colors	16.7MB
	Active Area (W x H)	376.32mm x 301.06mm (14.82"x 11.85")
	Backlight	LED
	MTBF	30000hrs
	Pixel Pitch(H x V)	0.294 x 0.294
	Luminance	250cd/m ²
	Contrast Ratio	1000 : 1
	Viewing Angle	(L) 85 / (R) 85 / (T) 80 / (B) 80
Touchscreen	Type	Multi-point capacitive touch screen
	Transmittance	> 87%
	Controller interface	USB 2.0 Type B
	Driver Support	Windows XP, Windows 7, Winows8, Windows 10, Linux
	Multi-touch	10 points (windows system)
	Surface Hardness	Mohs' Number 7H
Environmental	Work Temperature	-20 ~ 60° C (-4~140°F)
	Storage Temperature	-30 ~ 80° C (-22 ~ 176°F)
	Relative humidity	10~95% RH@40°C, non-condensing
	Shake	SSD applied: 1.5 Grms, IEC 60068-2-64, random, 5 ~ 500 Hz, 1 hr/axis
	Shock	SSD applied: 10 G, IEC 60068-2-27, Half-sine wave, 11ms duration
	EMC	CE/FCC Class B
	Water-proof	Front panel IP65

Dimensions:



A: DC IN	B:HDMI	C:VGA	D:USBT TOUCH	E:USB	F:USB
----------	--------	-------	--------------	-------	-------

Ordering

Product Code	Description
PANEL5000-C193W-L	19" TFT LCD / 1280*1024 / 1xVGA / 1xHDMI / 2xUSB / Capacitive Touch Screen/DC12-24V input

Packing List:

Hook	8*Hooks apply to Thickness=1mm~1.2mm
Terminal	2pin Phoenix terminal
VGA Cable	1.8M
USB Cable	1.8M

Optional

Adapter	12V/3.33A,40W 2pin Phoenix terminal
Chinese Standard Power Line	1.8M/3M/5M
VGA Cable	3M/5M
USB Cable	3M/5M
HDMI Cable	1.8M/3M/5M