



**PANEL5000-C1852W-L/LH** V1.2

---



## **Touch Screen Monitor**

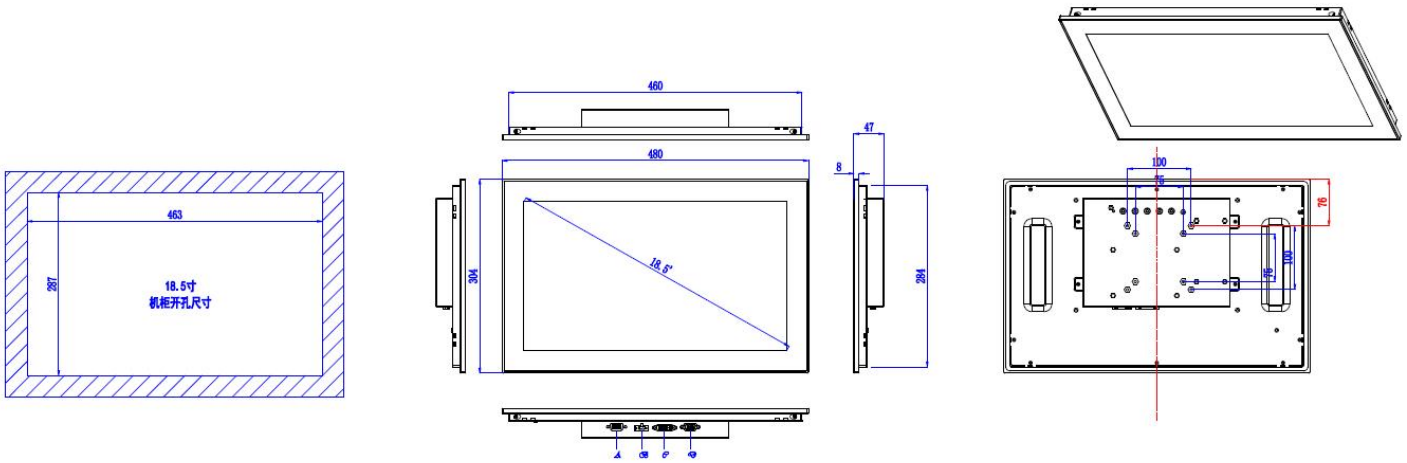
18.5" TFT Capacitive Touch Screen Monitor



Specifications:

<b>General</b>	Control button	set Contrast ratio and Luminance via OSD at the back panel
	Dimensions (W x H x D)	480mm x 304mm x 47mm
	Cut out Size (W x H)	463mm x 287mm (18.23"
	Box structure	Front panel: aluminum-magnesium alloy, anodized coating; Back cover: SGCC, Ground isolation protection
	Mounting	Support panel mounted, wall-mounted, Desktop (VESA 75x75 & 100x100)
	Power Supply	DC 12-24V
	Power Dissipation	10W
	Signal input	VGA & DVI-D
	NW	4.6kg(10.14lb)
<b>LCD</b>	LCD Size	18.5" TFT
	Resolution	1366 x 768/1920*1080
	Colors	16.7MB
	Active Area (W x H)	409.8 x 230.4mm (16.13"x 9.07")/408.96 x 230.04mm(16.10"x9.06")
	Backlight	LED
	MTBF	30000hrs/50000hrs
	Pixel Pitch (H x V)	0.300 x 0.300/0.213x0.213
	Luminance	250cd/m2/350cd/m2
	Contrast Ratio	1000 : 1
	Viewing Angle	(L) 85 / (R) 85 / (T) 80 / (B)/ 80(L) 89/ (R) 89 / (T) 89 / (B) 89
<b>Touchscreen</b>	Type	Multi-point capacitive
	Transmittance	> 87%
	Controller interface	USB
	Driver Support	Windows XP,Windows 7, Winows8, Windows 10, Linux
	Multi-touch	10 points (windows system)
	Surface Hardness	Mohs' 7H
<b>Environmental</b>	Operating Temperature	-20~60°C (-4~140°F) 0~45°C (32~113°F)
	Storage Temperature	-30 ~ 80°C (-22 ~ 176 °F )
	Relative humidity	5~95% RH@40°C,non-condensing
	Vibration	Operating Random Vibration Test 5~500Hz, 1.5Grms@with SSD, follow IEC 60068-2-6
	Shock	Operating 10G peak acceleration (11ms duration), follow IEC 60068-2-27
	EMC	CE/FCC Class B
	Front Panel Protection	IP65 Compliant

**Dimensions: mm**



<b>A:USB</b>	<b>B:DC IN</b>	<b>C:DVI-D</b>	<b>D:VGA</b>
--------------	----------------	----------------	--------------

**Ordering Information:**

Product Code	Description
PANEL5000-C1852W-L	18.5"TFT LCD/Capacitive Touch Screen/DC12-24V input/1366*768
PANEL5000-C1852W-LH	18.5"TFT LCD/Capacitive Touch Screen/DC12-24V input/1920*1080

**Packing List:**

Mounting screws	8*pcs Thickness=1mm~1.2mm
Terminal	2pin Phoenix terminal
VGA Cable	1.8M
USB Cable	1.8M

**Option Items:**

Adapter	12V/3.33A,40W 2pin Phoenix terminal
Power Cord	1.8M/ 3M /5M
VGA Cable	3M /5M
USB Cable	3M /5M
DVI Cable	1.8M /3M /5M