



PANEL5000-C172-L-A

v1.0

**17" SXGA TFT Capacitive Touch Screen
Industrial Monitor**





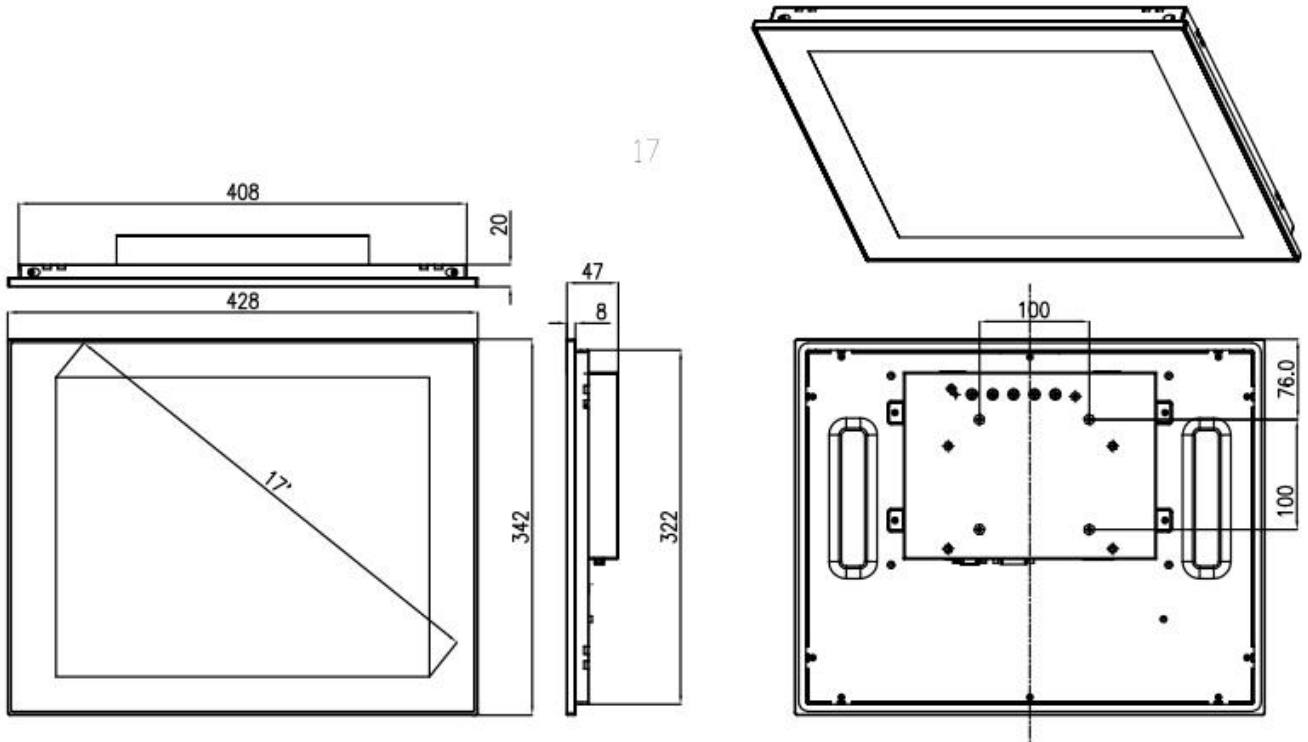
Specifications:



General	Signal input	ND LINK (RJ45)
	output	2*USB2.0
	Power Supply	DC 12-24V
	Power Dissipation	14W
	Control button	set Contrast ratio and Luminance via OSD at the back panel
	Dimensions (W x H x D)	428mm x 342mm x 47mm (16.85" x 13.46" x 1.85")
	Cut out Size (W x H)	411mm x 325mm (16.18" x 12.80")
	Box structure	Front panel: aluminum-magnesium alloy, anodized coating
	Mounting	Support panel mounted, wall-mounted, Desktop , VESA
	NW	4.4kg
LCD	LCD Size	17" SXGA TFT
	Resolution	1280 x 1024
	Colors	16.7MB
	Active Area (W x H)	338mm x 270mm (13.31" x 10.63")
	MTBF	30000hrs
	Luminance	250cd/m2
	Contrast Ratio	1000:1
	Viewing Angle	(L)85 / (R)85 / (T)80 / (B) 80
Touchscreen	Type	Multi-point capacitive touch screen
	Transmittance	≥ 80%
	Controller interface	USB
	Driver Support	WindowsXP, Windows7, Winows8, Windows10, Linux
	Multi-touch	10 points (windows system)
	Surface Hardness	Mohs' 7H
Environmental	Operating Temperature	-0~50° C
	Storage Temperature	-20~80°C
	Relative humidity	5~95% RH@40° C, non-condensing
	Vibration	Operating Random Vibration Test 5~500Hz, 1.5Grms@with SSD, follow IEC 60068-2-64
	Shock	Operating 10G peak acceleration (11ms duration), follow IEC 60068-2-27
	EMC	CE/FCC Class B
	Front Panel Protection	IP65 Compliant

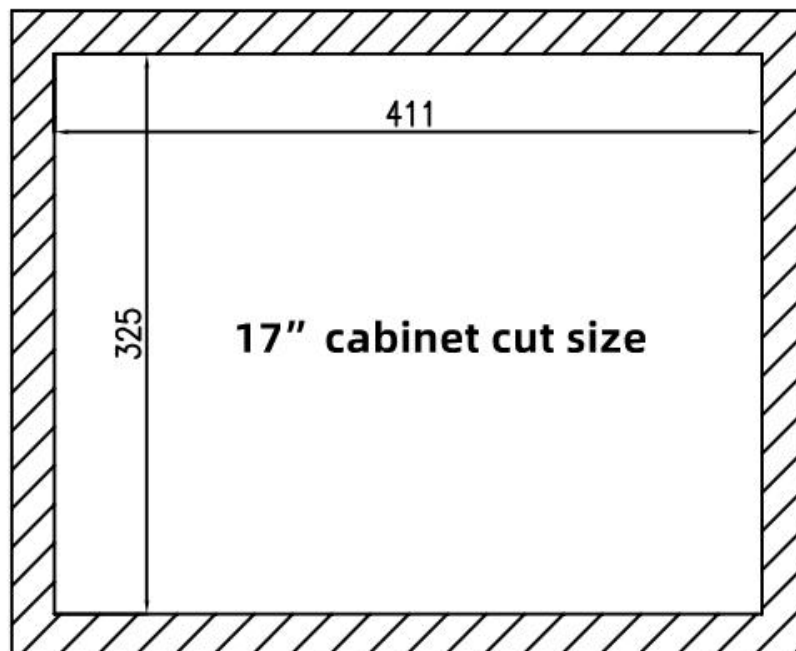
Dimensions:

428mm*342mm*47mm

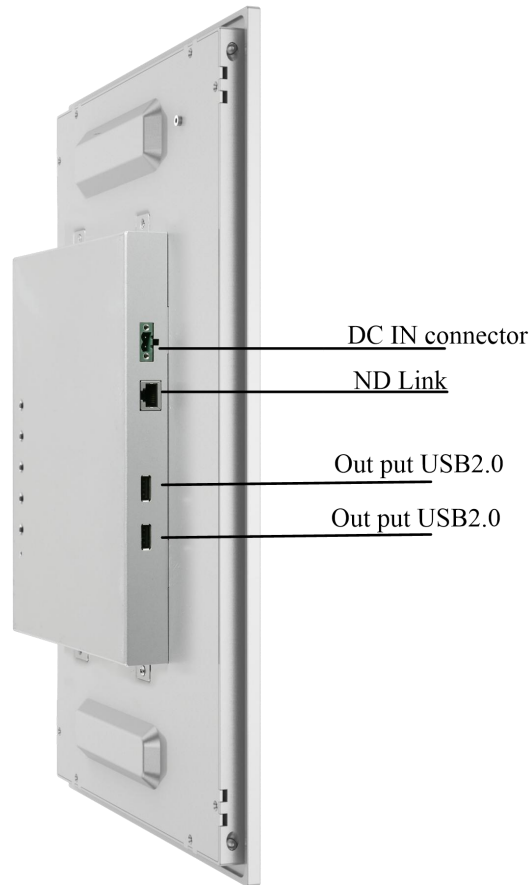


cabinet cut size:

411mm*325mm



Interface Definition:



NOTICE:

- 1) The Monitor needs power supply.
- 2) NDlink cable using CAT6 specification above network cable, and need to have a shielding layer.

Ordering Information:

Product Code	Description
PANEL5000-C172-L-A	17" TFT LCD/1280*1024/2×USB2.0/1×NDlink Port/Capacitive Touch Screen/DC12-24V

Packing List:

Remote sender	ELINK-200 1unit
Mounting screws	8*pcs Thickness=1mm~1.2mm
Terminal	2pin Phoenix terminal
DVI-D Cable	0.5M-1.5M*1 PCS
USB Cable	0.5M-1.5M*1 PCS

Option Items:

Adapter	12V/3.33A, 40W 2pin Phoenix terminal
Power Cord	1.8M/ 3M /5M
DVI Cable	3M /5M
USB Cable	3M /5M

Application topology:

- 3) The Monitor needs power supply.
- 4) Network cable using CAT6e specification above network cable, and need to have a shielding layer.

