

# PANEL5000-A082

8-inch Resistive touch screen industrial monitor

Touch Screen Monitor



## Specifications

### LCD

Size / Type : 8" TFT LCD

Resolution : 800×600

Backlit : LED with 20000 hours

Brightness : 250cd/sqm

Viewing Area : 162x121.5(mm)

Viewing angle : 140(H)/120(V)

### Touch Screen

Size / Type : 8 inch five-wire resistive screen

Communication : USB or RS232

Resolution : 4096x4096

Click life : 250g efforts, 35 million times

Draw life : 250g efforts, 5 million times

Transmittance : More than 81%

### Institutional

Front Panel : Aluminum-magnesium alloy die-casting, cover with PET film, IP65 degree of protection

Box structure : High-strength sheet metal structure, high temperature paint handling

Indicators : Power switch and indicators at the back panel

Signal input : Supports VGA and DVI

Mounting : Supports Panel and VESA mounting

Overall size : 236×188×49.5mm(W×H×D)

Case Size : 216×168×42.5mm(W×H×D)

Hole Size : 219×171mm(W×H)

Weight : 1.5kg

### Power and Environmental

Working tem. : -20°C ~ 60°C (-4~140°F)

Storage tem. : -30 ~ 80°C (-22 ~ 176°F)

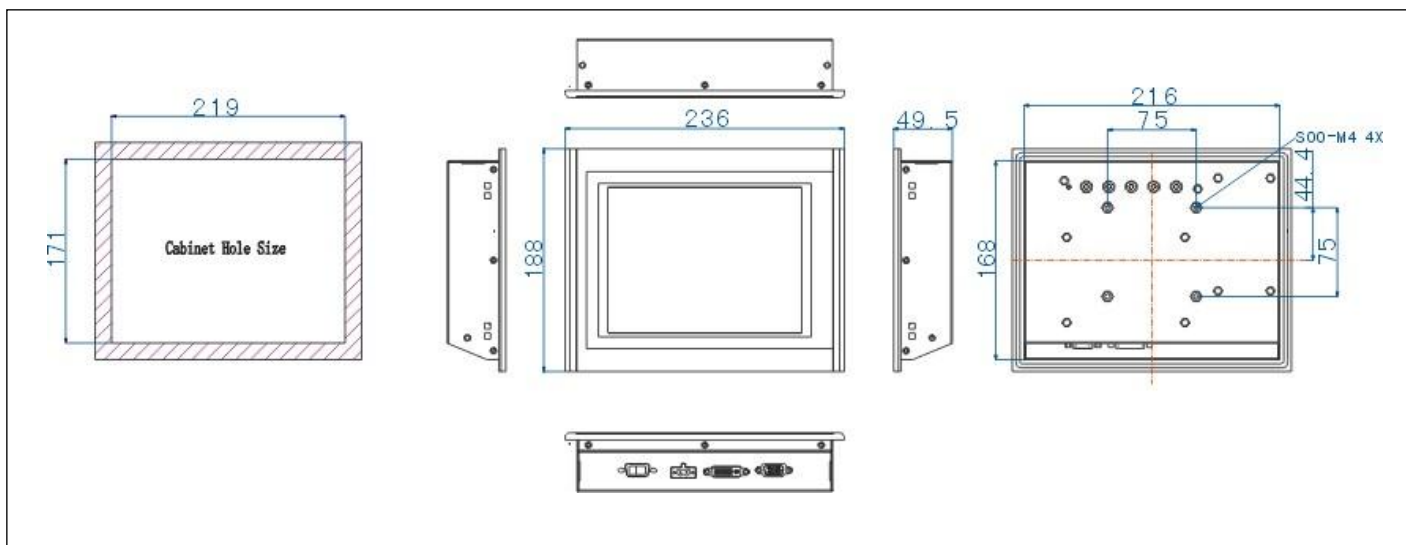
Relative humidity : 5~95% (No condensation)

Vibrating : 5~500Hz, 1.5G, 0.15mm Peak to peak

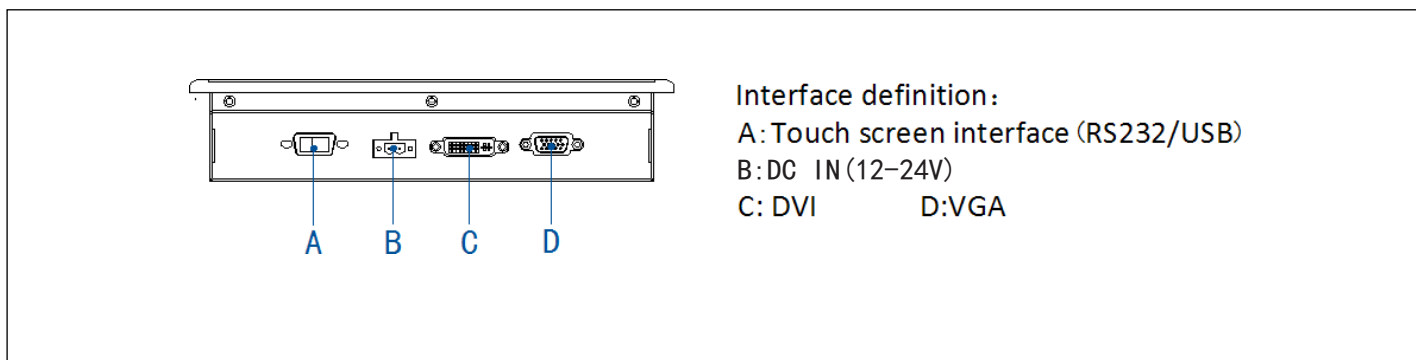
Shock : 10G/peak (11ms sec)

Power in : DC 12V-DC24V

Consumption : 5 watt



I/O definition



Interface definition:  
 A: Touch screen interface (RS232/USB)  
 B: DC IN (12-24V)  
 C: DVI                      D:VGA

Ordering Information

- PANEL5000-A082-TU : 8 inch TFT LCD/Resolution 800x600/Resistive touch screen/USB/DVI/VGA/DC12-24V
- PANEL5000-A082-TS : 8 inch TFT LCD/Resolution 800x600/Resistive touch screen/RS232/DVI/VGA/DC12-24V
- PANEL5000-A082-C : 8 inch TFT LCD/Resolution 800x600/without touch screen/DVI/VGA/DC12-24V

Packing List:

- Hook: 8\*Hooks apply to Thickness=1mm~1.2mm
- Terminal : 2pin Phoenix terminal
- VGA Cable: 1.8M
- USB Cable : 1.8M

Optional Equipment:

- Adapter: 12V/3.33A,40W 2pin Phoenix terminal
- Chinese Standard Power Line: 1.8M/3M/5M
- VGA Cable: 3M/5M
- USB Cable: 3M/5M
- DVI Cable: 1.8M/3M/5M