



IDP 59215

v1.1

INDUSTRIAL OPERATION PANEL

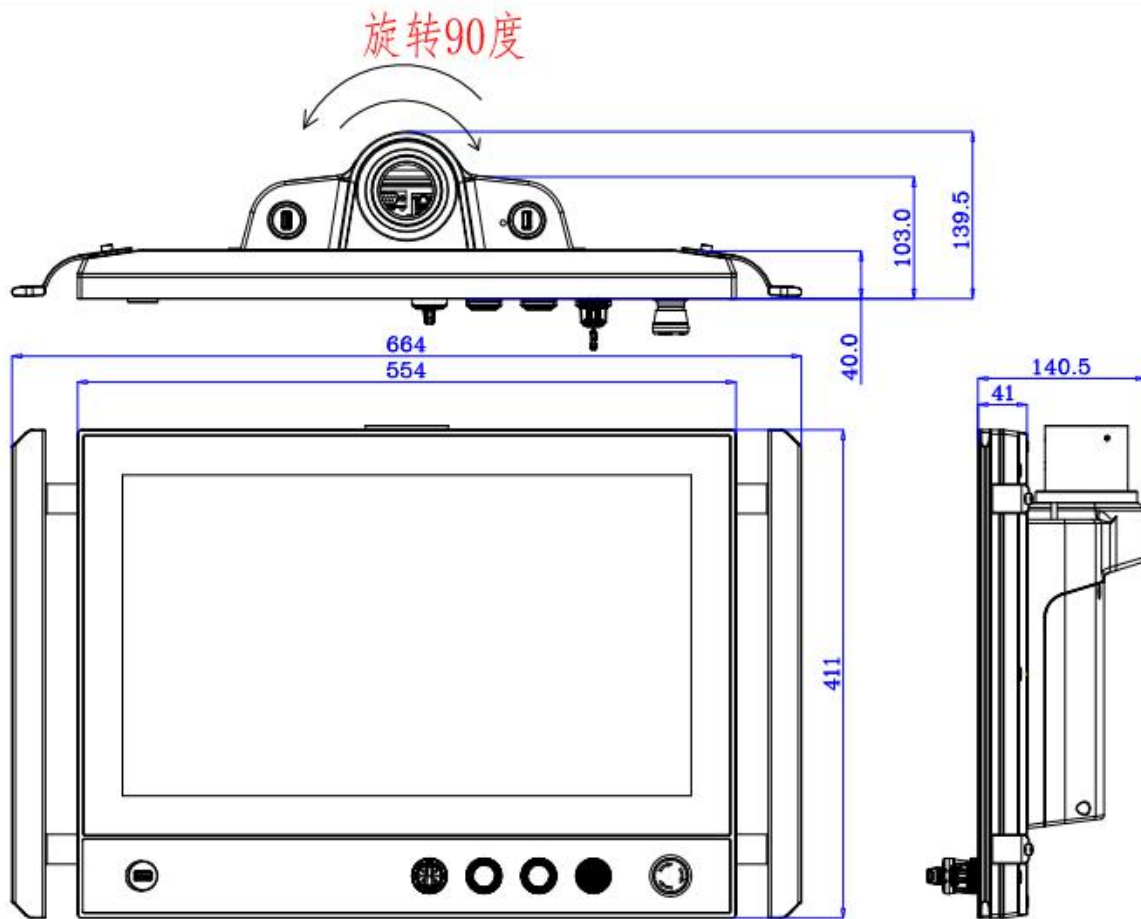
Highly integrated cantilever display panel for industrial systems

Specifications:



		IDP59215
Input interface	Signal input	Supports VGA+DVI input
	Communication interface	USB2.0 input
Physical	Weight	14.30 KG
	Pensile Direction	Optional Up or Down
	Fixed Stand or Cantilever	Suitable for full series
	Handle of Operation Panel	Standard
	Keyboard tray	optional
	Operation Button	Optional Item, Nodka Standard: USB、Rotatable switch、Push button (Green , Red)、Key switch、Emergency stop switch)
	Dimension (W x H x D)	664mm x 411mm x 139.5mm
Power	Input voltage	DC 12-24V support reverse polarity protection, overvoltage protection, overcurrent protection
	Maximum Power Dissipation	17W
LCD	LCD Type	21.5" Full HD TFT
	Resolution	1920 x 1080
	Colors	16.7MB
	Active Area (W x H)	476.64mm x 268.11mm
	Backlight	LED
	MTBF (hour)	30000hrs
	Pixel Pitch (H x V)	0.248 x 0.248
	Luminance	250cd/m ²
	Contrast Ratio	3000:1
	Viewing Angle	(L) 89 / (R) 89 / (T) 89 / (B) 89
Touchscreen	Touchscreen type	Capacitive Touchscreen
	Transmittance	> 81%
	Response Time (touch pen)	< 5ms
	Surface Hardness	Mohs Hardness 7H
	Click Life	250g / 100,000,000 times
	Multi-touch	10 Points
Environmental	Work Temperature	-10 ~ 60°C (14~140°F)
	Storage Temperature	-20 ~ 80°C (-4 ~ 176°F)
	Relative Humidity	5~95% (Non-condensation)
	Shake	SSD applied: 1.5 Grms, IEC 60068-2-64, random, 5 ~ 500 Hz, 1 hr/axis
	Shock	SSD applied: 10 G, IEC 60068-2-27, Half-sine wave, 11ms duration
	EMC	CE/FCC Class B
	Water-proof	IP65

IDP59215 Dimension:



Order Price Table:

IDP59215	Specification
IDP59215-C	21.5"LCD/1920 x 1080/ capacitive touchscreen /DC12V~24V input