



# **IDP 59185**

**V1.1**

## **INDUSTRIAL OPERATION PANEL**

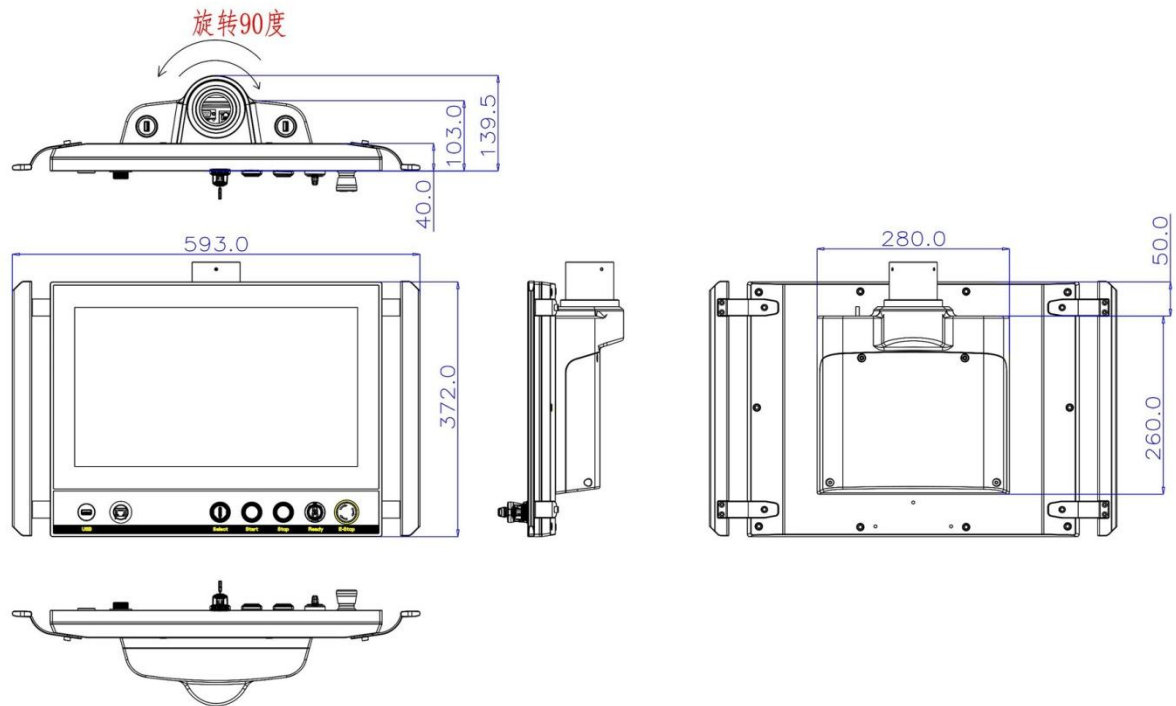
Highly integrated cantilever display panel for industrial systems

## Specifications:



		IDP59185
<b>Input interface</b>	Signal input	Supports VGA+DVI input
	Communication interface	USB2.0 input
<b>Physical</b>	Weight	10.24 KG
	Pensile Direction	Optional Up or Down
	Fixed Stand or Cantilever	Suitable for full series
	Handle of Operation Panel	Standard
	Keyboard tray	optional
	Operation Button	Optional Item, Nodka Standard: USB、Rotatable switch、Push button (Green , Red ), Key switch、Emergency stop switch)
	Dimension (W x H x D)	593mm x 372mm x 139.5mm
	<b>Power</b>	Input voltage
Maximum Power Dissipation		12W
<b>LCD</b>	LCD Type	18.5" HD TFT
	Resolution	1366 x 768
	Colors	16.7MB
	Active Area (W x H)	409.8mm x 230.4mm
	Backlight	LED
	MTBF (hour)	30000hrs
	Pixel Pitch (H x V)	0.248 x 0.248
	Luminance	250cd/m2
	Contrast Ratio	1000:1
	Viewing Angle	(L) 85 / (R) 85 / (T) 80 / (B) 80
<b>Touchscreen</b>	Touchscreen type	Capacitive Touchscreen
	Transmittance	> 81%
	Response Time (touch pen)	< 5ms
	Surface Hardness	Mohs Hardness 7H
	Click Life	250g / 100,000,000 times
	Multi-touch	10 Points
<b>Environmental</b>	Work Temperature	-10 ~ 60°C (14~140°F)
	Storage Temperature	-20 ~ 80°C (-4 ~ 176°F)
	Relative Humidity	5~95% (Non-condensation)
	Shake	SSD applied: 1.5 Grms, IEC 60068-2-64, random, 5 ~ 500 Hz, 1 hr/axis
	Shock	SSD applied: 10 G, IEC 60068-2-27, Half-sine wave, 11ms duration
	EMC	CE/FCC Class B
	Water-proof	IP65

## IDP59185 Dimension:



**Order Price Table:**

IDP59185	Specification
IDP59185-C	18.5"LCD/1366*768/ capacitive touchscreen/DC12V~24V input