

## IDP59156-C-HU

■ Arm mounting

### ■ Features

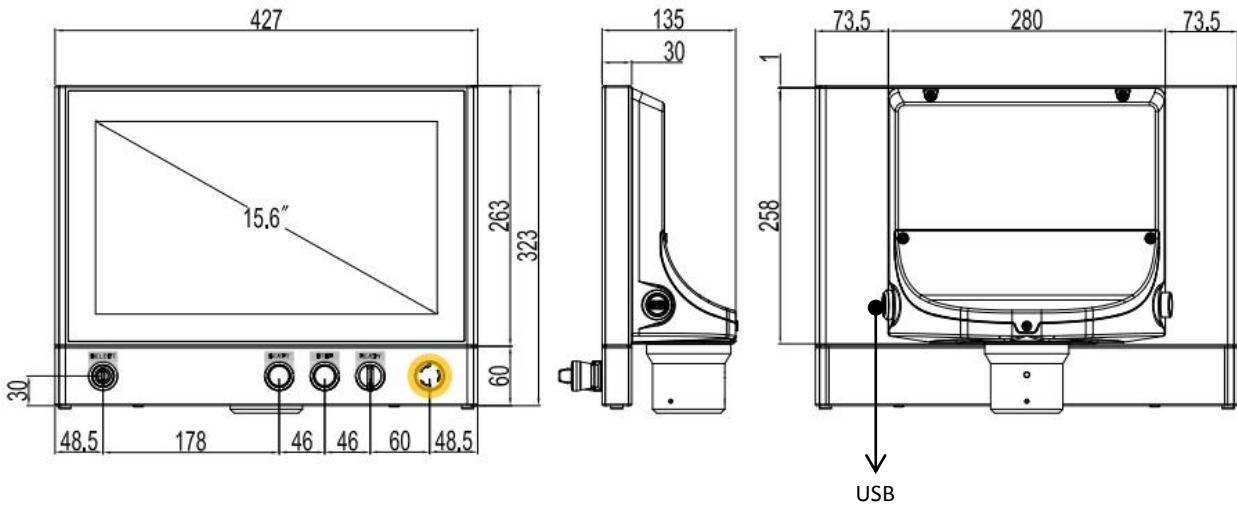
- 15.6"LCD, 1366\*768 resolution, capacitive touch screen.
- Full IP65 design
- DC12-24V power input
- Support ARM mounting from TOP side or BOTTOM side
- Modular button extensions
- Customer-specific requests for button units, up to 6x Ø22 buttons
- 1x power switch and 1x 2in1 USB 2.0 port at the back side



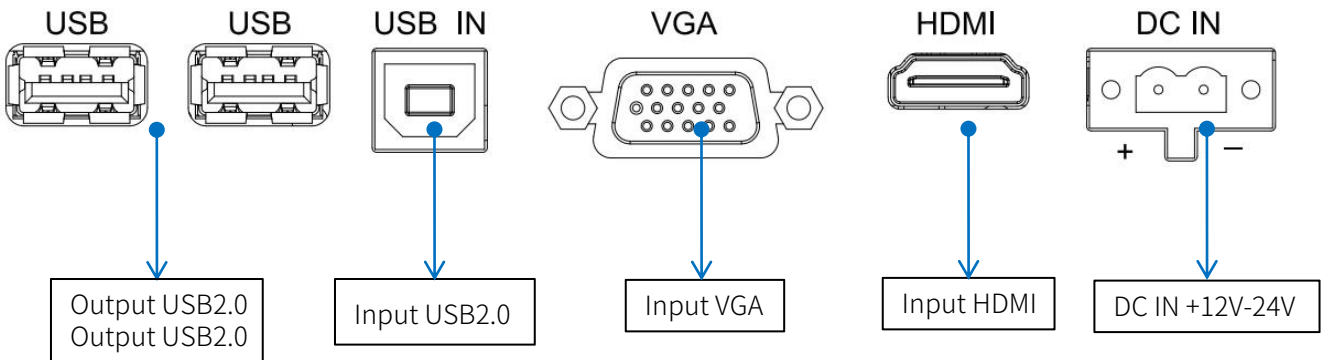
### ■ Specification

Product Name		IDP59156-C-HU
LCD	Size	15.6"
	Resolution ratio	1366*768
	White Luminance	400cd/m2
	MTBF (hour)	50000hrs
	Contrast Ratio	800:1
	Viewing Angle	(L)85 / (R)85 / (T)50 / (B)80
Mechanical	Dimensions (W x H x D)	427mm x 323mm x 135mm
	Installation	Swing ARM mounting (Support NODKA 4460 square tube and Rittal CP 40)
	Buttons	Default: 1x Emergency button, 1x selection button, 1x red push button, 1x green push button, 1x Key switch
	Weight	6.0Kg
System	Display signal Input	HDMI + VGA
	Input	1x USB2.0 (typeB) for touch communication
	Output	2 x internal USB2.0 (typeA) ,1x 2in1 USB 2.0 at the back of housing
Touch Screen	Touch screen type	Capacitive Touch screen
	Communication interface	USB
	Transmittance	≥80%
OS Support	OS	Windows 7, Windows 10 IoT, Ubuntu, CentOS,
Power	Input Voltage	12-24VDC ±10% , Support reverse connection protection, over voltage protection, over current protection 1x 2-pins Phoenix Connector for DC power(internal); 1x Power button with light at the back of housing
	Power consumption	Minimum 15W
Environment	Operating Ambient Temperature	0°C ~ 50°C
	Storage Temperature	-20°C ~ 60°C
	Humidity	5~95% (non-condensing)
	Vibration	SSD applied: 1.5 Grms, IEC 60068-2-64, random, 5 ~ 500 Hz, 1 hr/axis
	Shock	Operating 10G peak acceleration (11ms duration), follow IEC 60068-2-27
	EMC	Class B
	IP rating	Full IP65

## ■ Dimensions (unit : mm) 15.6"



## ■ Internal I/O



## ■ Ordering Information

P/N	Product name	Description
IDP59156-C-HU		15.6", 1366*768, Capacitive Touchscreen,VGA+HDMI, 2*USB2.0, DC 12V-24V

## ■ Optional Accessories

Option items	Description
USB cable	USB2.0 TypeA to TypeB cable optional 1.5m
DVI cable	DVI to HDMI cable optional 1.5m
HDMI cable	HDMI to HDMI cable optional 1.5m
...	

Note: If the system provides some optional parts, additional certification of system compatibility may be required in some regions/countries, please contact NODKA for system compatibility.