

ICP6915



ICP6915

V1.3

INDUSTRIAL OPERATION PANEL

Support Celeron™ 4205U/J1900/Core i5 7200U

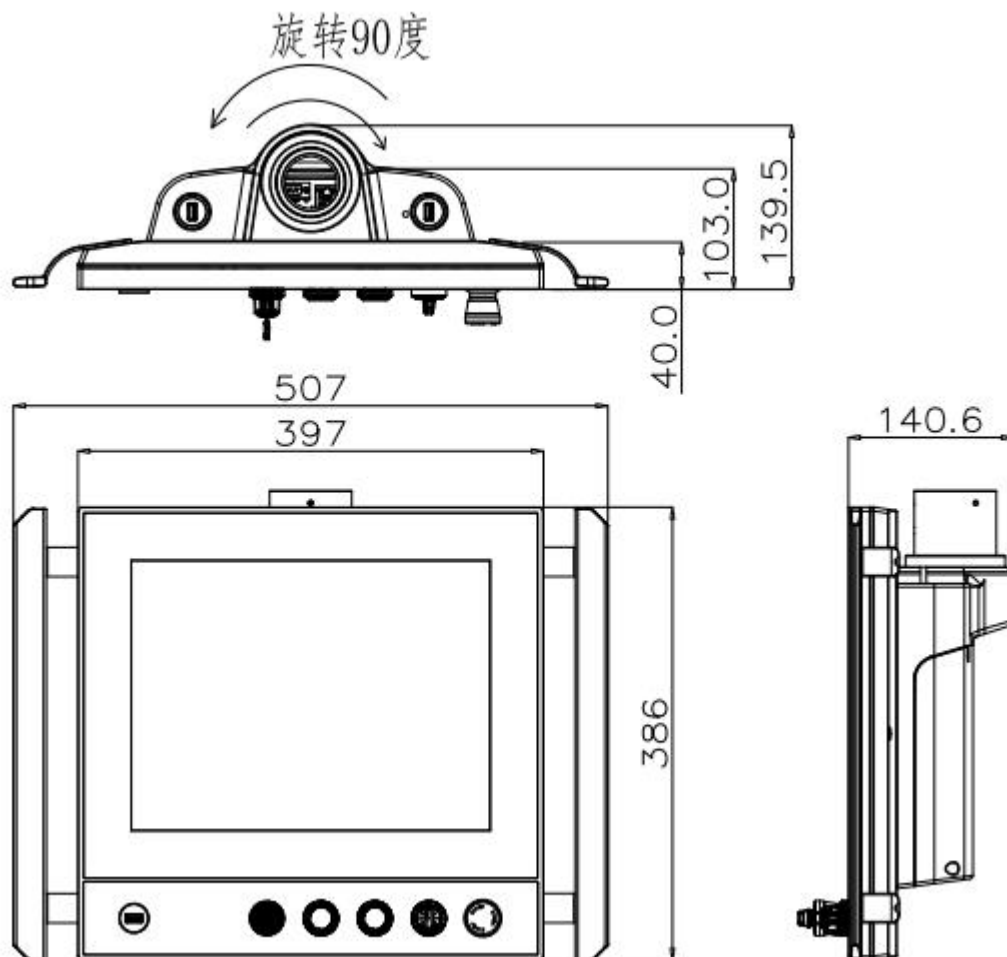
Highly integrated cantilever industrial system operation panel

Specifications:



| | | ICP6915 |
|----------------------|---------------------------|--|
| Processor | CPU | Support Intel® Celeron™ 4205U/J1900/Core i5 7200U |
| | Main Frequency | Dual Core 1.8GHz/Quad Core 2.0GHz/Dual Core 2.5Hz |
| | L3 Cache | 2MB/2MB/3MB |
| | Memory | 1*DDR3L-1600, max 8GB / 1*DDR4 2400MHz, max 16G |
| | Storage interface | 1 x 2.5" SATA HDD + 1 x mSATA |
| I/O | Ethernet | 2 x Intel 1000Mbps RJ-45 Ethernet interface |
| | Audio | Optional |
| | USB | 4 x USB3.0/2.0/1.1 |
| | Serial port | 2 x RS-232 / RS-485 with surge protection, RS485 support automatic flow control |
| | Expansion slot | 1 x Mini-PCIe slot, extensible 3G, WIFI wireless card |
| Physical | Weight | 8.3KG |
| | Pensile Direction | Optional Up or Down |
| | Fixed Stand of Cantilever | Suitable for full series |
| | Handle of Operation Panel | Standard |
| | Keyboard tray | optional |
| | Operation Button | Optional Item, Nodka Standard: USB、Rotatable switch、Push button (Green , Red)、Key switch、Emergency stop switch) |
| | Dimension (W x H x D) | 507mm x 386mm x 139.5mm |
| OS | OS | Windows 7, Windows8, Windows10, Linux |
| Power | DC input | DC 12-24V support reverse polarity protection, overvoltage protection, overcurrent protection |
| | Maximum Power Dissipation | Depend on the processor |
| LCD | LCD Type | 15" XGA TFT |
| | Resolution | 1024*768 |
| | Colors | 16.7MB |
| | Active Area (W x H) | 304.13mm x 228.10mm |
| | Backlight | LED |
| | MTBF (hour) | 30000hrs |
| | Pixel Pitch (H x V) | 0.297 x 0.297 |
| | Luminance | 420cd/m 2 |
| | Contrast Ratio | 800:1 |
| | Viewing Angle | (L) 80 / (R) 80 / (T) 80 / (B) 80 |
| Touchscreen | Touchscreen type | Capacitive touch screen |
| | Transmittance | > 81% |
| | Response Time (touch pen) | < 5ms |
| | Surface Hardness | Mohs Hardness 7H |
| | Click Life | 250g / 100,000,000 times |
| | Multi-touch | 10 points |
| Environmental | Work Temperature | -10 ~ 60°C (14~140°F) |
| | Storage Temperature | -20 ~ 80°C (-4 ~ 176°F) |
| | Relative Humidity | 5~95% (Non-condensation) |
| | Shake | SSD applied: 1.5 Grms, IEC 60068-2-64, random, 5 ~ 500 Hz, 1 hr/axis |
| | Shock | SSD applied: 10 G, IEC 60068-2-27, Half-sine wave, 11ms duration |
| | EMC | CE/FCC Class B |
| | Water-proof | IP65 |

ICP6915 Dimension:



Order Price Table:

| ICP6915 | Specification |
|----------------------|--|
| ICP6915-C-WL4205U-4G | 15"LCD/1024*768/capacitive touchscreen/4205U 1.8G CPU/4G memory/no hard disk /DC12V~24V input |
| ICP6915-C-SL7200U-4G | 15"LCD/1024*768/ capacitive touchscreen /7200U 2.5G CPU /4G memory/no hard disk /DC12V~24V input |
| ICP6915-C-J1900-4G | 15"LCD/1024*768/ capacitive touchscreen /J1900 2.0G CPU /4G memory/no hard disk /DC12V~24V input |