

ICP69156-C-H3-2Y/4Y-J6412

■ Arm mounting PC

■ Features

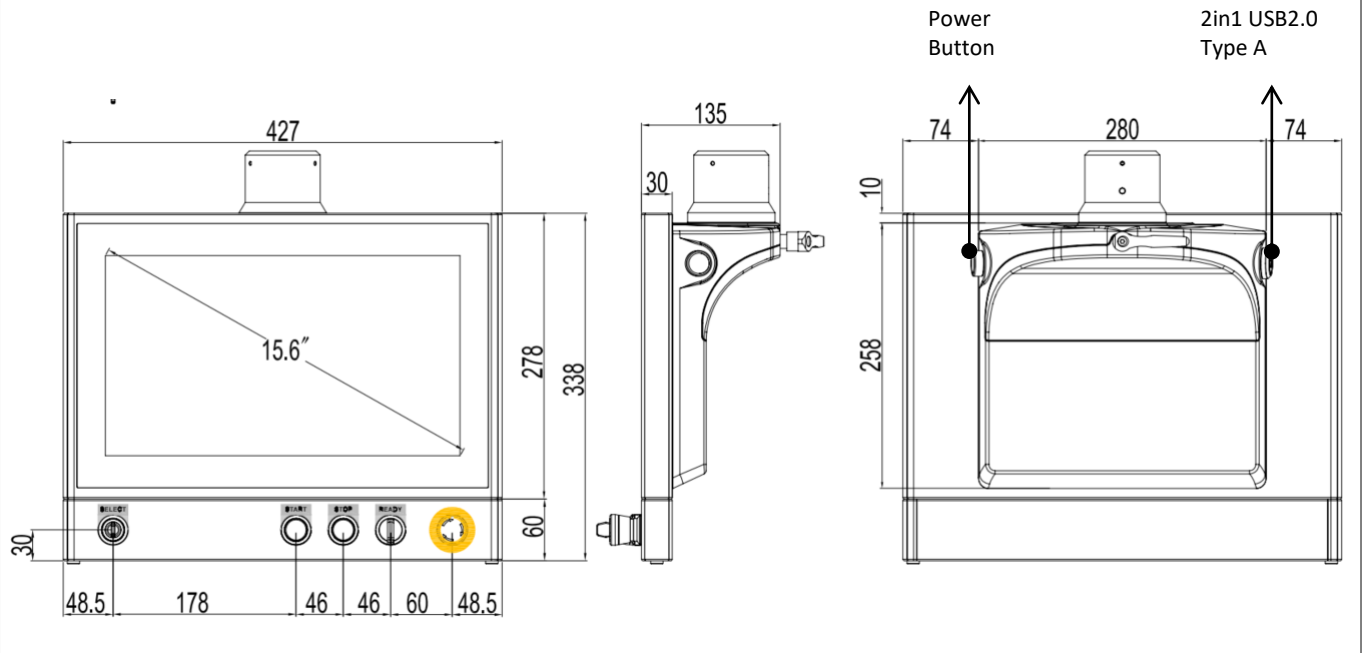
- 15.6" LCD,1366*768,resolution,Multi-touch,Capacitive Touchscreen
- Full IP65 design
- 2/4*Glan/4*USB3.0/1*HDMI/2*COM
- DC12-24V power input
- Support ARM mounting from TOP side or BOTTOM side
- Fanless and anodized aluminum
- Customer-specific requests for button units,up to 7x Ø22 buttons
- 1x power switch and 1x 2in1 USB 2.0 port at the back side



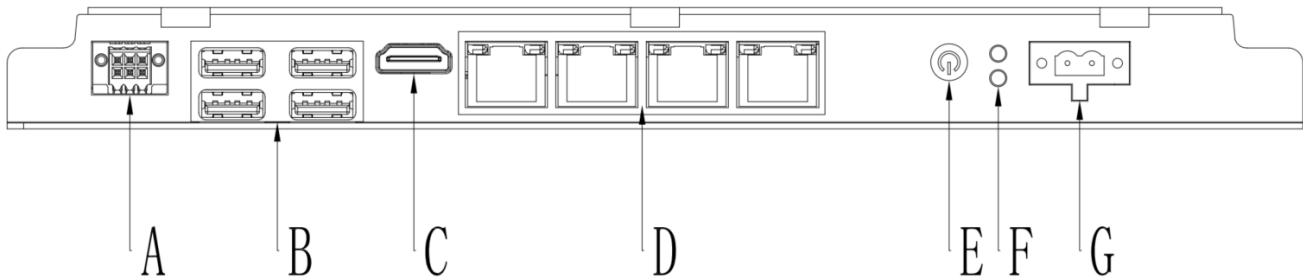
■ Specification

| Product Name | | ICP69156-C-H3-2Y-J6412 | ICP69156-C-H3-4Y-J6412 |
|-------------------|-------------------------|---|-----------------------------|
| LCD | Size | 15.6" LCD | |
| | Resolution ratio | 1366*768 | |
| | White Luminance | 400cd/m2 | |
| | MTBF (hour) | 50000hrs | |
| | Contrast Ratio | 800:1 | |
| | Viewing Angle | (L)85 / (R)85 / (T)50 / (B)80 | |
| Mechanical | Dimensions (W x H x D) | 427mm x 323mm x 135mm | |
| | Installation | Swing ARM mounting (Support NODKA 4460 square tube and Rittal CP 40) | |
| | Buttons | Default: 1x Emergency button, 1x selection button, 1x red push button, 1x green push button, 1x Key switch | |
| | Weight | 6.2Kg | |
| System | CPU | Intel® Celeron® Processor J6412 (1.5M Cache, 2.0 GHz up to 2.60 GHz) , TDP15W | |
| | Memory | 1 x 260-pin DDR4 SODIMM, Max support 16GB | |
| | Storage | 1 x 2.5" HDD/SSD + 1 x mSATA | |
| | Network(LAN) | 2 x Intel 1000Mbps Ethernet | 4 x Intel 1000Mbps Ethernet |
| | HDMI | HDMI1.2 | |
| | Serial ports | 2 X RS232/485(optional) , 2x 3-pins Phoenix Connector | |
| | USB | 4 x USB3.0/2.0/1.0 | |
| Touch screen | Touch screen type | Capacitive Touch screen | |
| | Communication interface | USB | |
| | Transmittance | ≥87% | |
| OS | OS | Windows 7, Windows 10 IoT, Ubuntu, CentOS, | |
| Power Consumption | Input Voltage | 12-24VDC ±10% , Support reverse connection protection, over voltage protection, over current protection 1x 2-pins Phoenix Connector for DC power(internal); 1x Power button with light at the back of housing | |
| | Idle Power Consumption | Minimum 18W | |
| Environment | Operating Temperature | 0°C ~ 50°C for SSD , 0°C ~ 45°C for HDD | |
| | Storage Temperature | -20°C ~ 60°C | |
| | Humidity | 5~95% @ 40°C (non-condensing) | |
| | Vibration | SSD applied: 1.5 Grms, IEC 60068-2-64, random, 5 ~ 500 Hz, 1 hr/axis | |
| | Shock | Operating 10G peak acceleration (11ms duration), follow IEC 60068-2-27 | |
| | EMC | Class B | |
| | Water-proof | Full IP65 compliant | |

■ Dimensions (unit: mm) 15.6"



■ Internal I/O



- A: 2*RS232/485
- B: 4*USB3.0
- C: HDMI
- D: 4*LAN
- E: Power button
- F: HDD/Power LEDs
- G: DC-in

| Pin | Definitio | Pin | Definitio |
|-----|-----------|-----|-----------|
| 1 | TX1/A1 | 2 | GND |
| 3 | RX1/B1 | 4 | TX2/A2 |
| 5 | RX2/B2 | 6 | END |

■ Button Area



note:

1. Fully configurable according to customer specifications
2. Frontally accessible for subsequent configuration changes and/or additions
3. Hard-wired connection mode
4. The number of elements that can be installed depends on the size of the display
5. Technical Supports: www.nodka.com

■ Ordering Information

| P/N | Product name | Description |
|-----|------------------------|---|
| | ICP69156-C-H3-4Y-J6412 | 15.6", 1366*768, 4*GigE lan, 4*USB3.0, 1*HDMI, 2*COM, 12V-24V |
| | ICP69156-C-H3-2Y-J6412 | 15.6", 1366*768, 2*GigE lan, 4*USB3.0, 1*HDMI, 2*COM, 12V-24V |

■ Optional Accessories

| Option items | Description |
|-----------------|---|
| CPU | Intel® Celeron® Processor J6412 (1.5M Cache, 2.0 GHz up to 2.60 GHz) , TDP15W Please contact sales to check other request. |
| Memory | DDR4 4G/8G/16G |
| Storage | Mini SATA SSD 64G/128G/256G/512G/1TB |
| | M.2 SSD 128GB,256GB,512GB,1TB,2TB |
| WiFi module | WiFi, 7260AN, folded cylinder TR tube |
| handle | Oval handle |
| keyboard holder | keyboard holder |

Note: If the system provides some optional parts, additional certification of system compatibility may be required in some regions/countries, please contact NODKA for system compatibility.