

# ICP69150-C-H3-2Y/4Y-N305

■ Arm mounting PC

## ■ Features

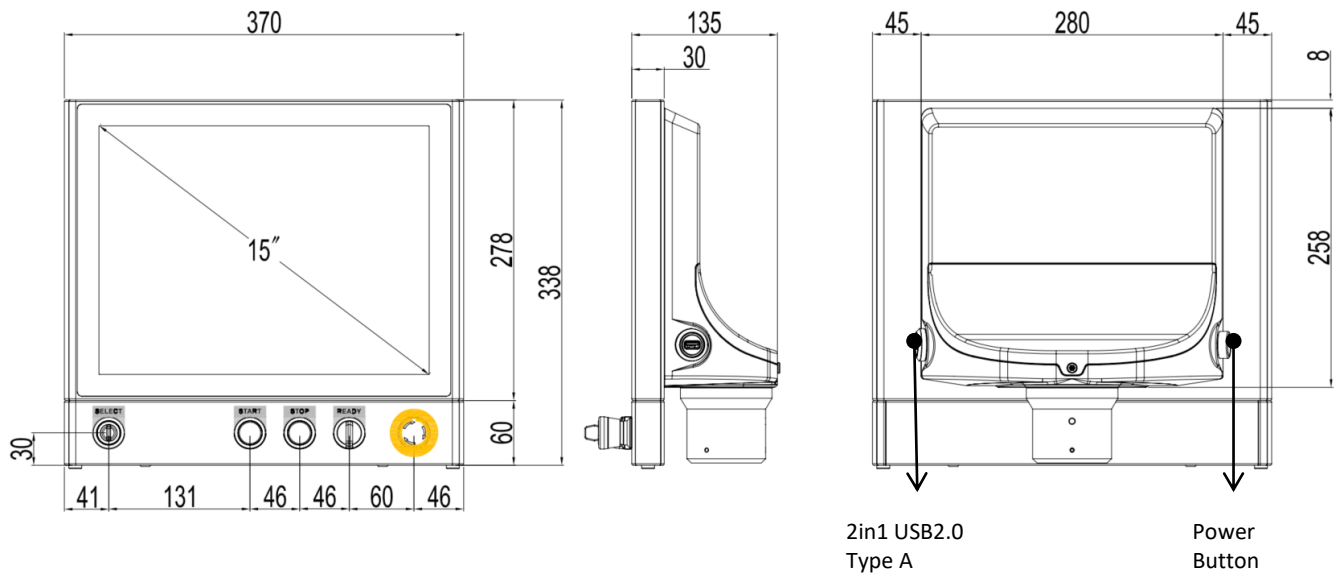
- 15.0" LCD,1024 \* 768,resolution,Multi-touch,Capacitive Touchscreen
- Full IP65 design
- 2/4\*Glan/4\*USB3.0/1\*HDMI/2\*COM
- DC12-24V power input
- Support ARM mounting from TOP side or BOTTOM side
- Fanless and anodized aluminum
- Customer-specific requests for button units,up to 6x Ø22 buttons
- 1x power switch and 1x 2in1 USB 2.0 port at the back side



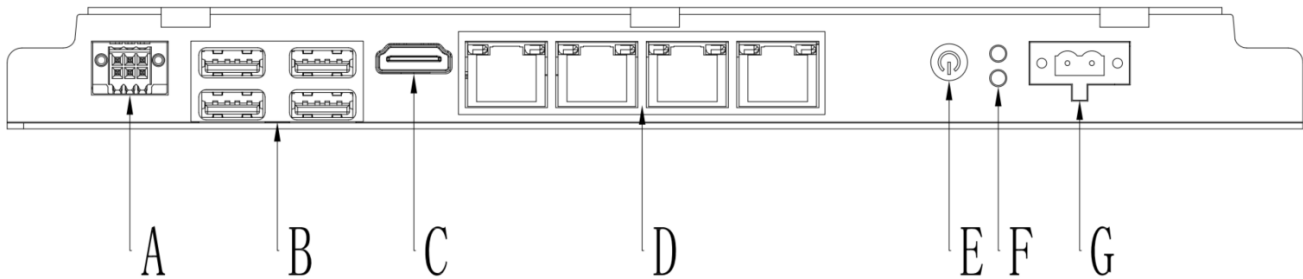
## ■ Specification

| Product Name      |                         | ICP69150-C-H3-2Y-N305   | ICP69150-C-H3-4Y-N305       |
|-------------------|-------------------------|---|-----------------------------|
| LCD               | Size                    | 15" LCD   |                             |
|                   | Resolution ratio        | 1024*768  |                             |
|                   | White Luminance         | 400cd/m2  |                             |
|                   | MTBF (hour)             | 50000hrs  |                             |
|                   | Contrast Ratio          | 1000:1  |                             |
|                   | Viewing Angle           | (L)89 / (R)89 / (T)89 / (B)89   |                             |
| Mechanical        | Dimensions (W x H x D)  | 370mm x 338mm x 135mm   |                             |
|                   | Installation            | Swing ARM mounting (Support NODKA 4460 square tube and Rittal CP 40)  |                             |
|                   | Buttons                 | Default: 1x Emergency button, 1x selection button, 1x red push button, 1x green push button, 1x Key switch  |                             |
|                   | Weight                  | 5.3Kg   |                             |
| System            | CPU                     | Intel® Core™ i3 processor N Series N305 (6 M Cache , 1.80 GHz up to 3.80 GHz), TDP15W   |                             |
|                   | Memory                  | 1x DDR4/DDR5 , Max support 16GB , Maximum Memory Speed 4800 MHz   |                             |
|                   | Storage                 | 1 x 2.5" HDD/SSD + 1 x mSATA  |                             |
|                   | Network(LAN)            | 2 x Intel 1000Mbps Ethernet   | 4 x Intel 1000Mbps Ethernet |
|                   | HDMI                    | HDMI1.2   |                             |
|                   | Serial ports            | 2 X RS232/485(optional) , 2x 3-pins Phoenix Connector   |                             |
|                   | USB                     | 4 x USB3.0/2.0/1.0  |                             |
| Touch screen      | Touch screen type       | Capacitive Touch screen   |                             |
|                   | Communication interface | USB   |                             |
|                   | Transmittance           | ≥87%  |                             |
| OS                | OS                      | Windows 7, Windows 10 IoT, Ubuntu, CentOS,  |                             |
| Power Consumption | Input Voltage           | 12-24VDC ±10% , Support reverse connection protection, over voltage protection, over current protection<br>1x 2-pins Phoenix Connector for DC power(internal);<br>1x Power button with light at the back of housing |                             |
|                   | Idle Power Consumption  | Minimum 18W   |                             |
| Environment       | Operating Temperature   | 0°C ~ 50°C for SSD , 0°C ~ 45°C for HDD   |                             |
|                   | Storage Temperature     | -20°C ~ 60°C  |                             |
|                   | Humidity                | 5~95% @ 40°C (non-condensing)   |                             |
|                   | Vibration               | SSD applied: 1.5 Grms, IEC 60068-2-64, random, 5 ~ 500 Hz, 1 hr/axis  |                             |
|                   | Shock                   | Operating 10G peak acceleration (11ms duration), follow IEC 60068-2-27  |                             |
|                   | EMC                     | Class B   |                             |
|                   | Water-proof             | Full IP65 compliant   |                             |

## ■ Dimensions (unit: mm) 15



## ■ Internal I/O



- A: 2\*RS232/485
- B: 4\*USB3.0
- C: HDMI
- D: 4\*LAN
- E: Power button
- F: HDD/Power LEDs
- G: DC-in

| Pin | Definitio | Pin | Definitio |
|-----|-----------|-----|-----------|
| 1   | TX1/A1    | 2   | GND       |
| 3   | RX1/B1    | 4   | TX2/A2    |
| 5   | RX2/B2    | 6   | END       |

■ Button Area



note:

1. Fully configurable according to customer specifications
2. Frontally accessible for subsequent configuration changes and/or additions
3. Hard-wired connection mode
4. The number of elements that can be installed depends on the size of the display
5. Technical Supports: [www.nodka.com](http://www.nodka.com)

■ Ordering Information

| P/N | Product name          | Description   |
|-----|-----------------------|---|
|     | ICP69150-C-H3-4Y-N305 | 15", 1024*768, 4*GigE lan, 4*USB3.0, 1*HDMI, 2*COM, 12V-24V |
|     | ICP69150-C-H3-2Y-N305 | 15", 1024*768, 2*GigE lan, 4*USB3.0, 1*HDMI, 2*COM, 12V-24V |

■ Optional Accessories

| Option items    | Description  |
|-----------------|--|
| CPU             | Intel® Core™ i3 processor N Series N305 (6 M Cache , 1.80 GHz up to 3.80 GHZ), TDP15W<br>.....<br>Please contact sales to check other request. |
| Memory          | DDR4 / DDR5 4G/8G/16G  |
| Storage         | Mini SATA SSD 64G/128G/256G/512G/1TB   |
|                 | 2.5" SATA SSD 128GB,256GB,512GB,1TB,2TB  |
| WiFi module     | WIFI, 7260AN, folded cylinder TR tube  |
| handle          | Oval handle  |
| keyboard holder | keyboard holder  |

Note: If the system provides some optional parts, additional certification of system compatibility may be required in some regions/countries, please contact NODKA for system compatibility.