

# NP-6135-JH3

- Desktop High Performance CPU
- USB, CAN Bus and DIO

## ■ Features

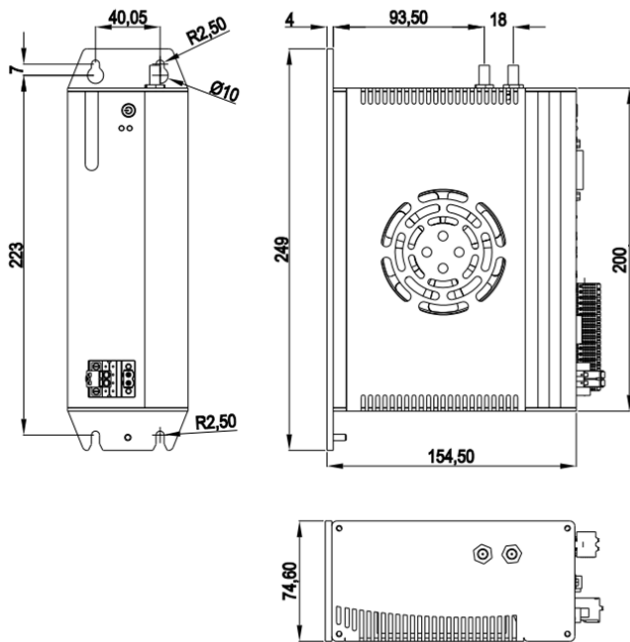
- Support Intel® Core™ 10th/11th generation i9/i7/i5/i3 high performance processors, Max. TDP 65W
- 2 x Intel GbE LAN controller
- 4 x USB3.0, USB2.0 Type A on board for dongle
- 4 x USB2.0(Extended by PCIE x1)
- 2 x CAN2.0(Optional)
- 8 x isolated DI, 8 x isolated DO
- 2 x RS232/RS485, RS485 support auto flow control
- Support both VGA and HDMI display port
- 1 x miniPCIE expansion slot, Support Wifi,3G/4G modules
- DC12~24V Power supply with overcurrent, overvoltage and polarity inverse protection
- Support wall-mounted or DIN-Rail fixing style
- Wide operating temperature -20 ~ 60°C supported



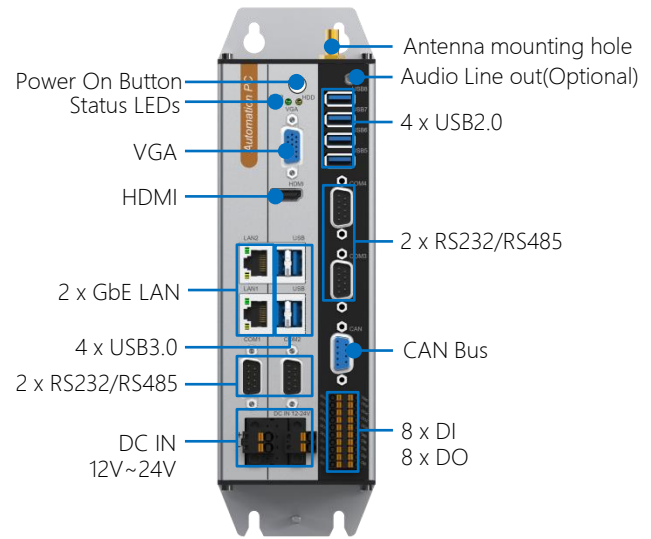
## ■ Specifications

| Model Name  |  | NP-6135-JH3   |   |
|-------------|--|---|---|
| System      | CPU  | Intel® Core™ 10th/11th gen i9/i7/i5/i3 LGA1200 type CPU   |   |
|             | TDP  | Max. 65W  |   |
|             | BIOS   | AMI UEFI 64Mbit   |   |
|             | Memory   | 2 x SO-DIMM DDR4, max up to 32GB  |   |
|             | Storage  |   | 1 x mSATA bay   |
|             |  |   | 1 x M.2(B Key, Type 2280) bay support SATA                |
|             | USB  |   | 4 x USB3.0, 1 x USB2.0 Type A on the board for USB dongle |
|             |  |   | 4 x USB2.0 extended by PCIE x1.                           |
|             | COM  | 4 x COM(DB-9), selectable to support RS232 or RS485 mode by the switch, RS485 support auto flow control, (ESD protection for RS232: Air gap ±8KV, Contact ±6KV) |   |
|             | CAN Bus  | 2 x CAN Bus 2.0A/B, 1 x DB9(Female)   |   |
|             | DI   | 8 x DI NPN/PNP, isolated 3750 Vrms  |   |
|             | DO   | 8 x DO, Transistor output, I <sub>max</sub> :0.5A per channel, isolated 3750 Vrms   |   |
|             | Ethernet   | 2 x Intel GbE LAN controller  |   |
|             | VGA  | Support up to 1920 x 1080 @60Hz   |   |
|             | HDMI   | Support up to 3840 x 2160 @60Hz   |   |
| Expansions  | 1 x Full-size PCIe Mini slot with SIM card holder(with USB signal) |   |   |
| Watch Dog   | 1~255 levels programmable  |   |   |
| OS Support  | Microsoft Windows  | Windows 10  |   |
|             | Linux  | Ubuntu, CentOS, Debian  |   |
| Power       | Voltage Input  | DC12~24V ±10%, overcurrent, overvoltage and polarity inverse protection   |   |
|             | Power Consumption  | Max. 120W   |   |
| Chassis     | Structure  | Aluminum-magnesium alloy BOX with fan embedded to assist cooling, Wall-mounted or DIN-Rail fixing style.  |   |
|             | Dimensions   | (L)200mm x (W)154.5mm x (H)74.6mm   |   |
|             | Net Weight   | 2.4Kg   |   |
| Environment | Work Temperature   | -20°C ~ 60°C (-4°F~140°F) with air flow (SSD)   |   |
|             | Storage Temperature  | -40°C ~ 80°C (-40°F ~ 176°F) with air flow (SSD)  |   |
|             | Relative Humidity  | 5~95% (Non-condensing)  |   |
|             | Operating Vibration  | 5~500Hz, 1.5Grms@with SSD, Follow IEC60068-2-64   |   |
|             | Operating Shock  | 20G peak acceleration(11ms duration) with SSD, Follow IEC60068-2-27   |   |
| EMC         |  | CE/FCC Class A  |   |

## ■ Dimensions (Unit: mm)



## ■ Interfaces



## ■ Ordering Information

| Part No.   | Product           | Description   |
|------------|-------------------|---|
| 6070200262 | NP-6135-JH3       | CPU:NULL, RAM:NULL, mSATA:NULL, M.2 SATA:NULL, 4 x RS232/485(Selectable), 2 x LAN, 4 x USB3.0, 4 x USB2.0, VGA/HDMI display port, 8 x DI, 8 x DO, DC12~24V Power input                    |
| 6070200263 | NP-6135-JH3-Audio | CPU:NULL, RAM:NULL, mSATA:NULL, M.2 SATA:NULL, 4 x RS232/485(Selectable), 2 x LAN, 4 x USB3.0, 4 x USB2.0, VGA/HDMI display port, 8 x DI, 8 x DO, 1 x Audio Lineout, DC12~24V Power input |

## ■ Options

| Parts        | Description  |  |
|--------------|--|--|
| CPU          | Intel® Core™ Comet lake                              | i3-10100T, i3-10100, i3-10105T, i3-10105, i5-10400T, i5-10400, i5-10500 ... .. |
|              | Intel® Core™ Rocket lake                             | i5-11400T, i5-11500T, i5-11600T, i5-11400, i5-11500, i5-11600 ... ..           |
| DDR4 Memory  | 4GB, 8GB, 16GB                                       |  |
| mSATA SSD    | 64GB, 128GB, 256GB, 512GB, 1TB                       |  |
| M.2 SATA SSD | 128GB, 256GB, 512GB, 1TB, 2TB                        |  |
| Wifi Set     | miniPCIE WIFI Set (7260 series), Cylindrical antenna |  |
| 3G/4G Module | mini PCIE, EC20, EG25, EC25                          |  |
| Mount Option | DIN-Rail   |  |

Note: If some optional parts are offered with the system, additional system certificates may be required in certain regions/countries. Please contact NODKA for certificate compliance.