

## NP-6135-H7

- Desktop-class high-performance CPU
- High-performance embedded industrial computer for machine vision industry

### ■ Features

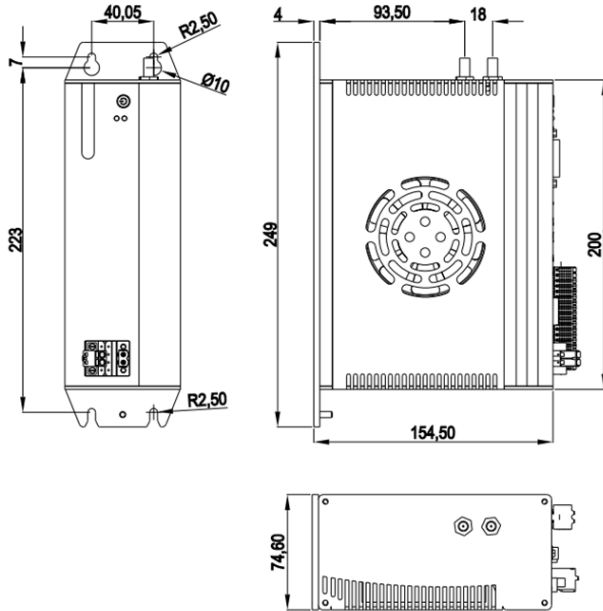
- Support Intel® Core™ 10th/11th gen i3/i5/i7/i9 high performance processors
- 2 x Intel GbE LAN controller
- 8x USB3.0 ports, 1 x USB2.0 Type A on board for dongle
- 2 x RS232/RS485, RS485 support auto flow control
- Support both VGA and HDMI display port
- 1 x miniPCIe expansion slot, Support Wifi, 3G/4G modules
- 4 x Light PWM control , support light trigger inputs
- 16 x Isolated DIO (8 x DI, 8 x DO)
- DC12~24V Power supply with overcurrent, overvoltage and polarity inverse protection
- Opt support wall-mounted or DIN-Rail fixing style
- Wide operating temperature -20 ~ 60°C supported



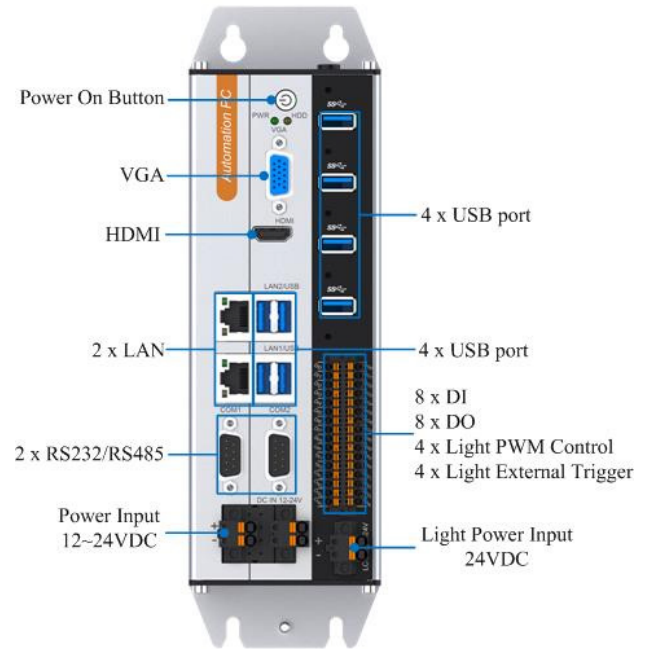
### ■ Specifications

Product Name		NP-6135-H7
System	CPU	Intel® Core™ 10th/11th gen i9/i7/i5/i3 LGA1200 type CPU
	TDP	Max. 65W, 6 cores and 12 threads
	BIOS	AMI UEFI 64Mbit
	Memory	2 x SO-DIMM DDR4, max up to 32GB
	Storage	1 x mSATA bay 1 x M.2 (B Key, Type 2280) SSD bay support SATA
	USB	8x USB3.0, 1 x USB2.0 Type A on board for USB dongle
	COM	2 x COM (DB9 male), RS232 or RS485 mode can be configured by toggle switch. RS485 support automatic flow control, (ESD protection for RS232: Air gap ±8KV, Contact ±6KV)
	Ethernet	2 x Intel GbE LAN controller
	DI	8 x DI NPN/PNP
	DO	8 x DO, transistorized output
	Light Control	4 x Light PWM Control, 4 x Light External Trigger, Light independently powered DC24V, I <sub>max</sub> : 1A per channel
	VGA	Support up to 1920 x 1080 @60Hz
	HDMI	Support up to 3840 x 2160 @60Hz
	Expansions	1 x Full-size PCIe Mini slot with SIM card holder
	Watchdog	1~255 level programmable
OS Support	Microsoft Windows	Windows 10
	Linux	Ubuntu, CentOS, Debian
Power	Voltage input	DC12~24V ±10%, over-current, over-voltage and polarity inverse protection
	Power Consumption	Max. 120W (Light independently powered, according to the power consumption configure the power supply)
Chassis	Structure	Aluminum-magnesium alloy BOX with fan embedded to assist cooling, Wall-mounted or DIN-Rail fixing style
	Dimension	(L)200mm x (W)154.5mm x (H)74.6mm
	Net Weight	2.4Kg
Environment	Work Temperature	-20°C ~ 60°C with air flow (SSD)
	Storage Temperature	-40°C ~ 80°C with air flow (SSD)
	Relative Humidity	5~95% (Non-condensing)
	Operating Vibration	5~500Hz, 1.5Grms@with SSD, Follow IEC60068-2-64
	Operating Shock	20G peak acceleration (11ms duration) with SSD, Follow IEC60068-2-27
	EMC	CE/FCC Class A

## ■ Dimensions (Unit:mm)



## ■ Interfaces



## ■ Ordering Information

Material No.	Product Name	Description
B73.61350.09.0001	NP-6135-H7	CPU:NULL, RAM:NULL, mSATA:NULL, M.2 SATA:NULL, 2 x RS232/485(Selectable), 2 x LAN, 8x USB3.0, VGA/HDMI display, 8 x DI, 8 x DO, 4 x Ligth PWM Control , 4 x Light External Trigger, 4 x PoE LAN, Light independently powered DC24V, DC12~24V power input

## ■ Optional Items

Replacement	Description	
CPU	Intel® Core™ Comet lake	i3-10100T, i3-10100, i3-10105T, i3-10105, i5-10400T, i5-10400, i5-10500 ....
	Intel® Core™ Rocket lake	i5-11400T, i5-11500T, i5-11600T, i5-11400, i5-11500, i5-11600 ....
DDR4 Memory	4GB, 8GB, 16GB	
mSATA SSD	64GB, 128GB, 256GB, 512GB, 1TB	
M.2 SATA SSD	128GB, 256GB, 512GB, 1TB, 2TB	
Wifi Kit	miniPCIE WIFI Kit(7260 Series) , Cylindrical Antenna	
3G/4G Module	mini PCIE, EC20, EG25, EC25	
Installation	DIN-Rail	

Note: There is no miniPCIE WIFI in this 11th generation CPU, i.e. miniPCIE WIFI function is not available.

Note: If some optional parts are offered with the system, additional system certificates may be required in certain regions/countries. Please contact NODKA for certificate compliance.