

NP-6132-JH5

- Desktop High Performance CPU
- 2 x RS232/485, 8 x RS485, 8 x DI, 4 x Relay DO

■ Features

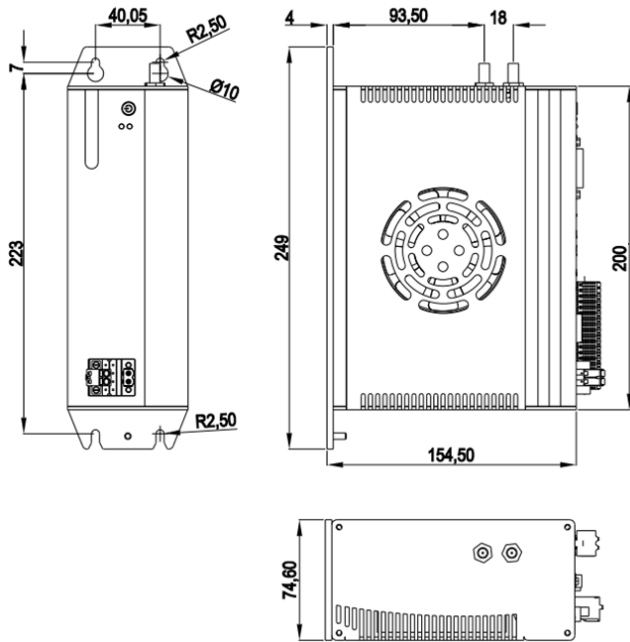
- Support Intel® Core™ 10th/11th generation i7/i5/i3 high performance processors, Max. TDP 65W
- 3 x Intel GbE LAN controller
- 4 x USB3.0, USB2.0 Type A on board for dongle
- 2 x RS232/RS485, 8 x RS485
- 16 x isolated DI, 8 x isolated DO, 8 x Relay DO(NO)
- 2 x miniPCIE expansion slot, Support Wifi,3G/4G ,CAN modules
- 1 x M.2 KEY-E 2230 expansion slot, Support Wifi module



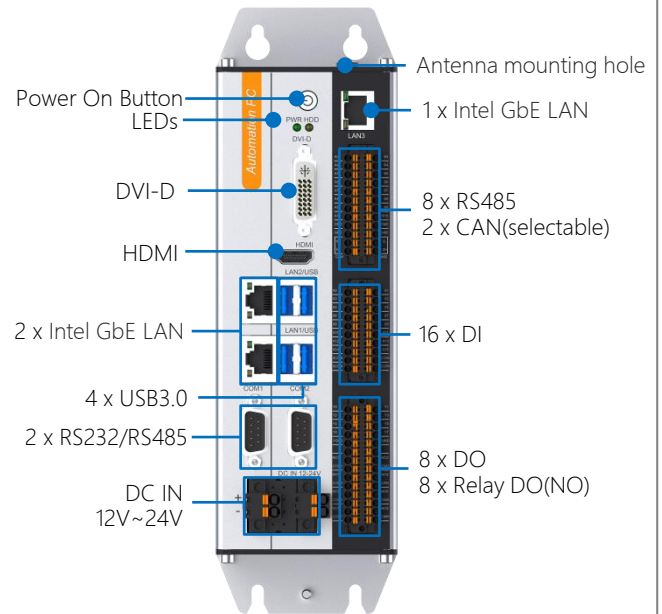
■ Specifications

Model Name	NP-6132-JH5	
System	CPU	Intel® Core™ 10th/11th gen i7/i5/i3 LGA1200 type CPU
	TDP	Max. 65W
	BIOS	AMI UEFI BIOS
	Memory	2 x SO-DIMM DDR4, max up to 32GB
	Storage	1 x mSATA bay
		1 x M.2(Key-B, Type 2280) bay support SATA
	USB	4 x USB3.0
		1 x USB2.0 Type A on the board for USB dongle
	COM	2 x RS232/RS485(DB-9), selectable to support RS232 or RS485 mode by the switch
		8 x RS485(Phoenix Contators)
	CAN	2 x CAN 2.0 A/B Bus(By mini-PCIE slot expansion, Optional)
	DI	16 x DI NPN/PNP
	DO	8 x DO (NPN), I _{max} .0.5A
		8 x Relay DO (NO, 30VDC(I _{max} : 3.0A))
	Ethernet	3 x Intel i210-ATGbE LAN controller
	DVI-D	Support up to 1920 x 1080 @60Hz
HDMI	Support up to 3840 x 2160 @30Hz	
Expansions	2 x Full-size PCIe Mini slot	
	1 x M.2 2230 Key-E Slot	
Watch Dog	1~255 levels programmable	
OS Support	Microsoft Windows	Windows 10
	Linux	Ubuntu, CentOS, Debian
Power	Voltage Input	DC12~24V ±10%, overcurrent, overvoltage and polarity inverse protection
	Power Consumption	Max. 120W
Chassis	Structure	Aluminum-magnesium alloy BOX with fan embedded to assist cooling, Wall-mounted or DIN-Rail fixing style.
	Dimensions	(L)200mm x (W)154.5mm x (H)74.6mm
	Net Weight	2.3Kg
Environment	Work Temperature	-20°C ~ 60°C (-4°F~140°F) with air flow (SSD)
	Storage Temperature	-40°C ~ 80°C (-40°F ~ 176°F) with air flow (SSD)
	Relative Humidity	5~95% (Non-condensing)
	Operating Vibration	5~500Hz, 1.5Grms@with SSD, Follow IEC60068-2-64
	Operating Shock	20G peak acceleration(11ms duration) with SSD, Follow IEC60068-2-27
EMC	CE/FCC Class A	

■ Dimensions (Unit: mm)



■ Interfaces



■ Ordering Information

Part No.	Product	Description
B73.61320.14.0001	NP-6132-JH5	CPU:NULL, RAM:NULL, mSATA:NULL, 2 x RS232/485(Selectable), 8 x RS485, 3 x LAN, 4 x USB3.0, DVI-D/HDMI display port, 16 x DI, 8 x DO, 8 x Relay DO, 2 x CAN A/B(Selectable) DC12~24V Power input

■ Options

Parts	Description	
CPU	Intel® Core™ Comet lake	i3-10100T, i3-10100, i3-10105T, i3-10105, i5-10400T, i5-10400, i5-10500
	Intel® Core™ Rocket lake	i5-11400T, i5-11500T, i5-11600T, i5-11400, i5-11500, i5-11600
DDR4 Memory	4GB, 8GB, 16GB	
mSATA SSD	64GB, 128GB, 256GB, 512GB, 1TB	
M.2 SATA SSD	128GB, 256GB, 512GB, 1TB, 2TB	
Wifi Set	miniPCIE WIFI Set (7260 series) ,Cylindrical antenna	
3G/4G Module	mini PCIE, EC20, EG25, EC25	
CAN Module	miniPCIE: CAN Set (MCU CAN)	
Mount Option	DIN-Rail	

Note: If some optional parts are offered with the system, additional system certificates may be required in certain regions/countries. Please contact NODKA for certificate compliance.