

NP-6132-H7

- Desktop-class high-performance CPU
- High-performance embedded industrial computer for machine vision industry

■ Features

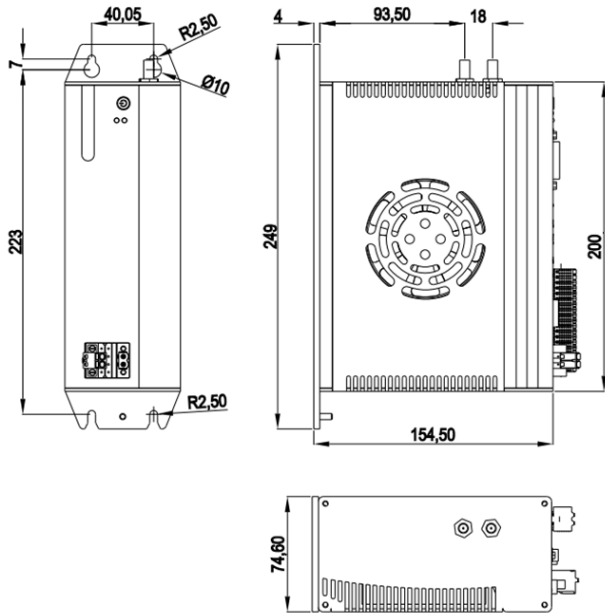
- Support Intel® Core™ 10th/11th gen i3/i5/i7/i9 high performance processors
- 2 x Intel GbE LAN controller
- 8x USB3.0 ports, 1 x USB2.0 Type A on board for dongle
- 2 x RS232/RS485, RS485 support auto flow control
- Support both DVI-D and HDMI display port
- 1 x miniPCIe expansion slot, Support Wifi, 3G/4G modules
- 4 x Light PWM control , support light trigger inputs
- 16 x Isolated DIO (8 x DI, 8 x DO)
- DC12~24V Power supply with overcurrent, overvoltage and polarity inverse protection
- Opt support wall-mounted or DIN-Rail fixing style
- Wide operating temperature -20 ~ 60°C supported



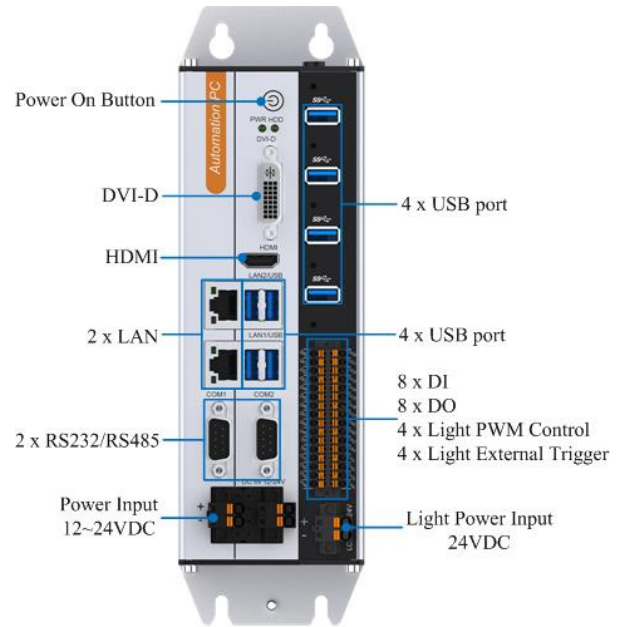
■ Specifications

Product Name		NP-6132-H7	
System	CPU	Intel® Core™ 10th/11th gen i9/i7/i5/i3 LGA1200 type CPU	
	TDP	Max. 65W, 6 cores and 12 threads	
	BIOS	AMI UEFI 64Mbit	
	Memory	2 x SO-DIMM DDR4, max up to 32GB	
	Storage		1 x mSATA bay
			1 x M.2 (B Key, Type 2280) SSD bay support SATA
	USB	8x USB3.0, 1 x USB2.0 Type A on board for USB dongle	
	COM	2 x COM (DB9 male), RS232 or RS485 mode can be configured by toggle switch. RS485 support automatic flow control, (ESD protection for RS232: Air gap ±8KV, Contact ±6KV)	
	Ethernet	2 x Intel GbE LAN controller	
	DI	8 x DI NPN/PNP	
	DO	8 x DO, transistorized output	
	Light Control	4 x Light PWM Control, 4 x Light External Trigger, Light independently powered DC24V, I _{max} : 1A per channel	
	DVI-D	Support up to 1920 x 1080 @60Hz	
	HDMI	Support up to 3840 x 2160 @60Hz	
	Expansions	1 x Full-size PCIe Mini slot with SIM card holder	
Watchdog	1~255 level programmable		
OS Support	Microsoft Windows	Windows 10	
	Linux	Ubuntu, CentOS, Debian	
Power	Voltage input	DC12~24V ±10%, over-current, over-voltage and polarity inverse protection	
	Power Consumption	Max. 120W (Light independently powered, according to the power consumption configure the power supply)	
Chassis	Structure	Aluminum-magnesium alloy BOX with fan embedded to assist cooling, Wall-mounted or DIN-Rail fixing style	
	Dimension	(L)200mm x (W)154.5mm x (H)74.6mm	
	Net Weight	2.4Kg	
Environment	Work Temperature	-20°C ~ 60°C with air flow (SSD)	
	Storage Temperature	-40°C ~ 80°C with air flow (SSD)	
	Relative Humidity	5~95% (Non-condensing)	
	Operating Vibration	5~500Hz, 1.5Grms@with SSD, Follow IEC60068-2-64	
	Operating Shock	20G peak acceleration (11ms duration) with SSD, Follow IEC60068-2-27	
	EMC	CE/FCC Class A	

■ Dimensions (Unit:mm)



■ Interfaces



■ Ordering Information

Material No.	Product Name	Description
B73.61320.09.0001	NP-6132-H7	CPU:NULL, RAM:NULL, mSATA:NULL, M.2 SATA:NULL, 2 x RS232/485(Selectable), 2 x LAN, 8x USB3.0, DVI-D/HDMI display, 8 x DI, 8 x DO, 4 x Light PWM Control, 4 x Light External Trigger, 4 x PoE LAN, Light independently powered DC24V, DC12~24V power input

■ Optional Items

Replacement	Description	
CPU	Intel® Core™ Comet lake	i3-10100T, i3-10100, i3-10105T, i3-10105, i5-10400T, i5-10400, i5-10500
	Intel® Core™ Rocket lake	i5-11400T, i5-11500T, i5-11600T, i5-11400, i5-11500, i5-11600
DDR4 Memory	4GB, 8GB, 16GB	
mSATA SSD	64GB, 128GB, 256GB, 512GB, 1TB	
M.2 SATA SSD	128GB, 256GB, 512GB, 1TB, 2TB	
Wifi Kit	miniPCIe WIFI Kit(7260 Series), Cylindrical Antenna	
3G/4G Module	mini PCIe, EC20, EG25, EC25	
Installation	DIN-Rail	

Note: There is no miniPCIe WIFI in this 11th generation CPU, i.e. miniPCIe WIFI function is not available.

Note: If some optional parts are offered with the system, additional system certificates may be required in certain regions/countries. Please contact NODKA for certificate compliance.