

NP-6125-JH5

- Desktop High Performance CPU
- 2 x RS232/485, 8 x RS485, 16 x DI, 8 x DO, 8 x Relay DO

■ Features

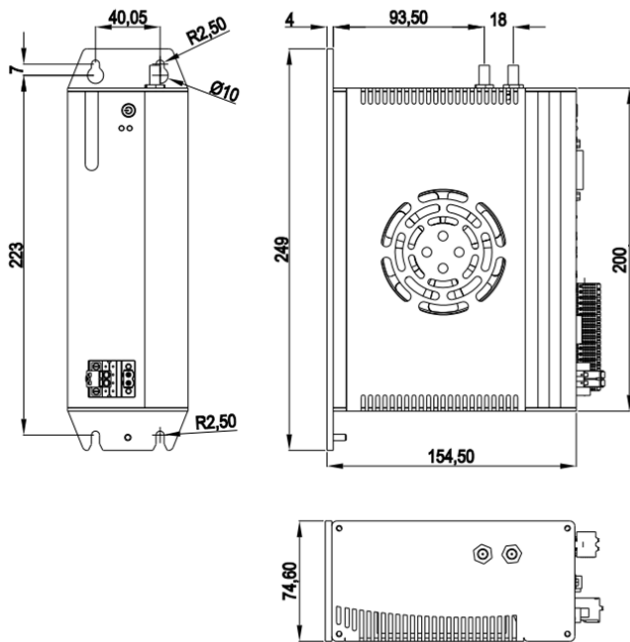
- Support Intel® Core™ 6th/7th/8th generation i7/i5/i3/Pentium/Celeron high performance processors
- 3 x Intel GbE LAN controller
- 4 x USB3.0, USB2.0 Type A on board for dongle
- 2 x RS232/RS485, 8 x RS485
- 16 x DI, 8 x DO, 8 x Relay DO(NO)
- Support both VGA and HDMI display port
- 2 x miniPCIE expansion slot, Support Wifi,3G/4G CAN modules,
- 1 x M.2 2230 KEY-E WIFI
- Support wall-mounted or DIN-Rail fixing style
- Wide operating temperature -20 ~ 60°C supported



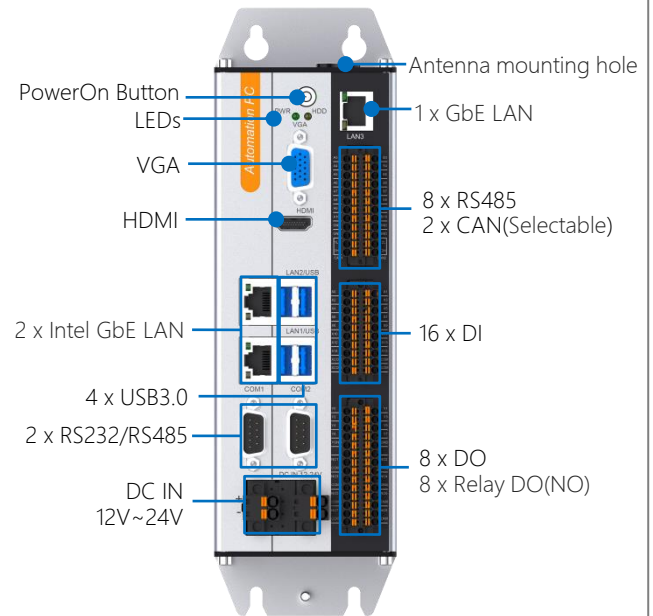
■ Specifications

Model Name	NP-6125-JH5	
System	CPU	Intel® Core™ 6th/7th/8th gen i7/i5/i3/Pentium/Celeron LGA1151 type CPU
	TDP	Max. 65W
	BIOS	AMI UEFI BIOS
	Memory	2 x SO-DIMM DDR4, max up to 32GB
	Storage	1 x mSATA bay
		1 x M.2(B Key, Type 2280) bay support SATA
	USB	4 x USB3.0, 1 x USB2.0 Type A on the board for USB dongle
	COM	2 x COM(DB-9), selectable to support RS232 or RS485 mode by the switch
		8 x RS485(Phoenix Contators)
	CAN	2 x CAN A/B Bus(By mini-PCIE slot expansion, Optional)
	DI	16 x DI NPN/PNP
	DO	8 x DO (NPN), I _{max} .0.5A
		8 x Relay DO (NO, 30VDC(I _{max} : 3.0A))
	Ethernet	3 x Intel i210-ATGbE LAN controller
	VGA	Support up to 1920 x 1080 @60Hz
HDMI	Support up to 3840 x 2160 @30Hz	
Expansions	2 x Full-size PCIe Mini slot	
	1 x M.2 KEY-E 2230 slot	
Watch Dog	1~255 levels programmable	
OS Support	Microsoft Windows	Windows 10
	Linux	Ubuntu, CentOS, Debian
Power	Voltage Input	DC12~24V ±10%, overcurrent, overvoltage and polarity inverse protection
	Power Consumption	Max. 120W
Chassis	Structure	Aluminum-magnesium alloy BOX with fan embedded to assist cooling, Wall-mounted or DIN-Rail fixing style.
	Dimensions	(L)200mm x (W)154.5mm x (H)74.6mm
	Net Weight	2.3Kg
Environment	Work Temperature	-20°C ~ 60°C (-4°F~140°F) with air flow (SSD)
	Storage Temperature	-40°C ~ 80°C (-40°F ~ 176°F) with air flow (SSD)
	Relative Humidity	5~95% (Non-condensing)
	Operating Vibration	5~500Hz, 1.5Grms@with SSD, Follow IEC60068-2-64
	Operating Shock	20G peak acceleration(11ms duration) with SSD, Follow IEC60068-2-27
EMC	CE/FCC Class A	

■ Dimensions (Unit: mm)



■ Interfaces



■ Ordering Information

Part No.	Product	Description
B73.61250.14.0001	NP-6125-JH5	CPU:NULL, RAM:NULL, mSATA:NULL, 2 x RS232/485(Selectable), 8 x RS485, 3 x LAN, 4 x USB3.0, VGA/HDMI display port, 16 x DI, 8 x DO, 8 x Relay DO, 2 x CAN A/B(Selectable) DC12~24V Power input

■ Options

Parts	Description	
CPU	Intel® Pentium	G3900,G4400
	Intel® Core™ Skylake	I3-6100,I3-6100T,I5-6400,I5-6400T,I5-6500,I5-6500T, I7-6700,I7-6700T
	Intel® Core™ Kaby Lake	I3-7100,I5-7400,I5-7500,I7-7700,I7-7700T
	Intel® Core™ Coffee Lake	I3-8100,I5-8400,I5-8500,I7-8700
DDR4 Memory	DDR4-2400MHz , 4GB, 8GB, 16GB	
mSATA SSD	64GB, 128GB, 256GB, 512GB, 1TB	
M.2 SATA SSD	128GB, 256GB, 512GB, 1TB, 2TB	
Wifi Set	miniPCIE: WIFI Set (7260 series) or M.2 WIFI (AX210 series)	
3G/4G Module	miniPCIE: EC20, EG25, EC25	
CAN Module	miniPCIE: CAN Set (MCU CAN)	
Mount Option	DIN-Rail	

Note: If some optional parts are offered with the system, additional system certificates may be required in certain regions/countries. Please contact NODKA for certificate compliance.