

## NP-6125-H1BP

- Desktop-class high-performance CPU
- High-performance embedded industrial computer for machine vision industry

### ■ Features

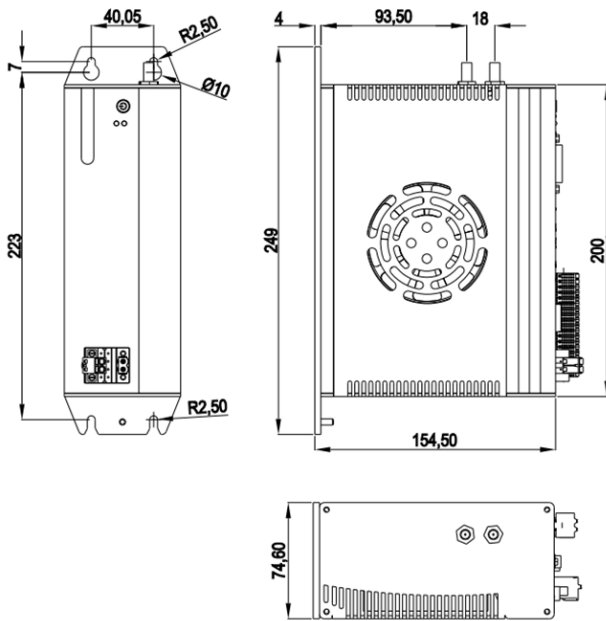
- Support Intel® Core™ 6th/7th/8th gen i3/i5/i7 high performance processors
- 2 x Intel GbE LAN controller
- 4 x Intel GbE PoE LAN controller
- 4 x USB3.0 ports, 1 x USB2.0 Type A on board for dongle
- 2 x RS232/RS485, RS485 support auto flow control
- Support both VGA and HDMI display port
- 1 x miniPCIe expansion slot, Support Wifi, 3G/4G modules
- 16 x DI (support 2-channel A/B phase differential encoder input acquisition, max. 1MHz)
- 16 x DO (support 2-channel single-ended PWM output, max. 1MHz)
- DC12~24V Power supply with overcurrent, overvoltage and polarity inverse protection
- Opt support wall-mounted or DIN-Rail fixing style
- Wide operating temperature -20 ~ 60°C supported



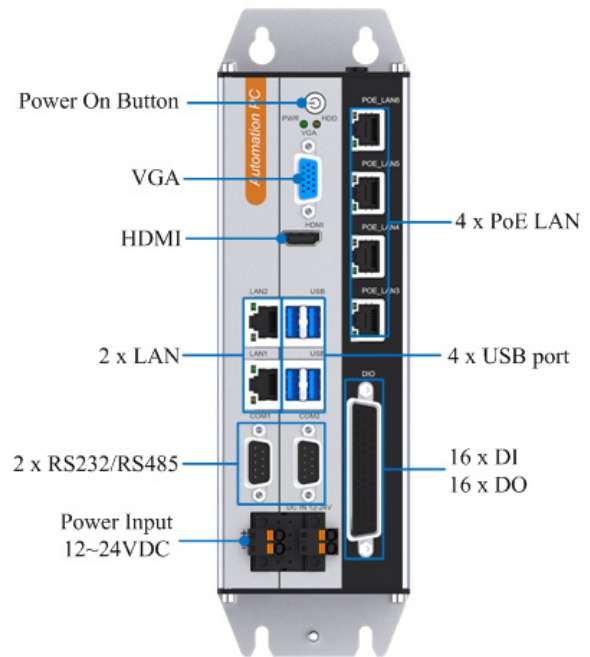
### ■ Specifications

Product Name		NP-6125-H1BP-N	NP-6125-H1BP-P	
System	CPU	Intel® Core™ 6th/7th/8th gen i7/i5/i3 LGA1151 type CPU		
	TDP	Max. 65W		
	BIOS	AMI UEFI 64Mbit		
	Memory	2 x SO-DIMM DDR4, max up to 32GB		
	Storage	1 x mSATA bay		
		1 x M.2(B Key, Type 2280)SSD bay support SATA		
	USB	4 x USB3.0, 1 x USB2.0 Type A on board for USB dongle		
	COM	2 x COM(DB9 male), RS232 or RS485 mode can be configured by toggle switch. RS485 support automatic flow control, (ESD protection for RS232: Air gap ±8KV, Contact ±6KV)		
	Ethernet	2 x Intel GbE LAN controller		
	PoE	4 x Intel GbE PoE LAN controller, max. 15W per channel		
	DI	16 x DI NPN/PNP, (support 2-channel A/B phase differential encoder input acquisition, max. 1MHz)		
	DO	16 x DO, NPN output, I <sub>max</sub> :0.5A , (supports 2 single-ended PWM outputs, max. 1MHz)	16 x DO, PNP output, I <sub>max</sub> :0.5A , (supports 2 single-ended PWM outputs, max. 1MHz)	
	VGA	Support up to 1920 x 1080 @60Hz		
	HDMI	Support up to 3840 x 2160 @60Hz		
Expansions	1 x Full-size PCIe Mini slot with SIM card holder			
Watchdog	1~255 level programmable			
OS Support	Microsoft Windows	Windows 10		
	Linux	Ubuntu, CentOS, Debian		
Power	Input Voltage	DC12~24V ± 10%, over-current, over-voltage and polarity inverse protection		
	Power Consumption	Max. 220W		
Chassis	Structure	Aluminum-magnesium alloy BOX with fan embedded to assist cooling, Wall-mounted or DIN-Rail fixing style		
	Dimension	(L)200mm x (W)154.5mm x (H)74.6mm		
	Net Weight	2.4Kg		
Environment	Work Temperature	-20°C ~ 60°C with air flow (SSD)		
	Storage Temperature	-40°C ~ 80°C with air flow (SSD)		
	Relative Humidity	5~95% (Non-condensing)		
	Operating Vibration	5~500Hz, 1.5Grms@with SSD, Follow IEC60068-2-64		
	Operating Shock	20G peak acceleration(11ms duration) with SSD, Follow IEC60068-2-27		
EMC	CE/FCC Class A			

## ■ Dimensions (Unit:mm)



## ■ Interfaces



## ■ Ordering Information

Material No.	Product Name	Description
B73.61250.05.0001	NP-6125-H1BP-N	CPU:NULL, Memory:NULL, mSATA:NULL, M.2 SATA:NULL, 2 x RS232/485(Selectable), 2 x LAN, 4 x USB3.0, VGA/HDMI display, 4 x PoE LAN, 16 x DI(multiplexing 2 A/B phase differential encoder inputs), 16 x DO NPN type(multiplexing 2 PWM single-ended outputs), DC12~24V power input
B73.61250.05.0002	NP-6125-H1BP-P	CPU:NULL, Memory:NULL, mSATA:NULL, M.2 SATA:NULL, 2 x RS232/485(Selectable), 2 x LAN, 4 x USB3.0, VGA/HDMI display, 4 x PoE LAN, 16 x DI(multiplexing 2 A/B phase differential encoder inputs), 16 x DO PNP type(multiplexing 2 PWM single-ended outputs), DC12~24V power input

## ■ Optional Parts

Rplacement	Description	
CPU	Intel® Pentium	G3900,G4400
	Intel® Core™ Skylake	I3-6100,I3-6100T,I5-6400,I5-6400T,I5-6500,I5-6500T, I7-6700,I7-6700T
	Intel® Core™ Kaby Lake	I3-7100,I5-7400,I5-7500,I7-7700,I7-7700T
	Intel® Core™ Coffee Lake	I3-8100,I5-8400,I5-8500,I7-8700
DDR4 Memory	DDR4-2400MHz , 4GB, 8GB, 16GB	
mSATA SSD	64GB, 128GB, 256GB, 512GB, 1TB	
M.2 SATA SSD	128GB, 256GB, 512GB, 1TB, 2TB	
Wifi Kit	miniPCIe WIFI Kit(7260 Series) , Cylindrical Antenna	
3G/4G Module	mini PCIe, EC20, EG25, EC25	
Installation	DIN-Rail	

Note: If some optional parts are offered with the system, additional system certificates may be required in certain regions/countries. Please contact NODKA for certificate compliance.