

NP-6123-HDD

- Desktop High Performance CPU
- Control cabinet Industrial PC

■ Features

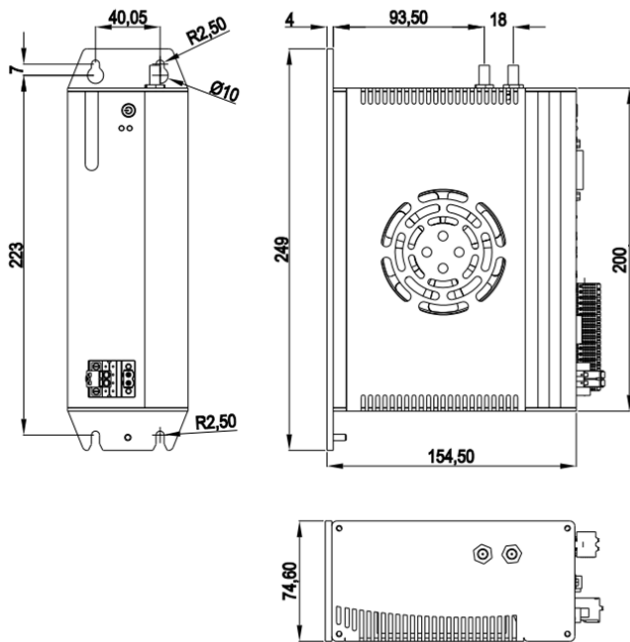
- Support Intel® Core™ 6th/7th/8th generation i7/i5/i3/Pentium/Celeron high performance processors, Max. TDP 65W
- 4 x Intel GbE LAN controller
- 4 x USB3.0, USB2.0 Type A on board for dongle
- 1 x RS232/RS485, RS485 support auto flow control
- Support both VGA and HDMI display port
- Supports both mSATA and 2.5" SATA hard disk storage
- 2 x miniPCIE expansion slot, Support Wifi,3G/4G modules
- DC12~24V Power supply with overcurrent, overvoltage and polarity inverse protection
- Support wall-mounted or DIN-Rail fixing style
- Wide operating temperature -20 ~ 60°C supported



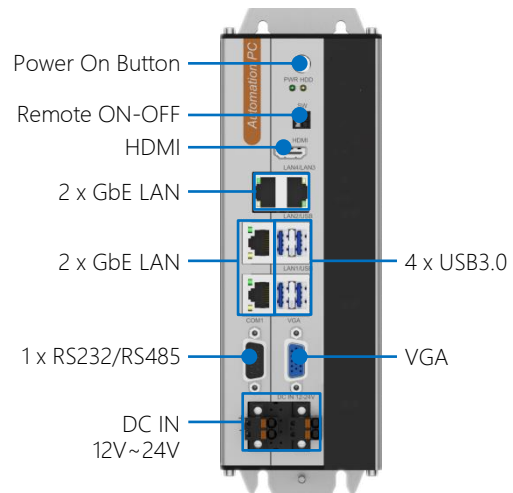
■ Specifications

Model Name		NP-6123-HDD
System	CPU	Intel® Core™ 6th/7th/8th gen i7/i5/i3/Pentium/Celeron LGA1151 type CPU
	TDP	Max. 65W
	BIOS	AMI UEFI 64Mbit
	Memory	2 x SO-DIMM DDR4, max up to 32GB
	Storage	1 x mSATA bay
		1 x 2.5" SATA bay
	USB	4 x USB3.0, 1 x USB2.0 Type A on the board for USB dongle
	COM	1 x COM(DB-9), selectable to support RS232 or RS485 mode by the switch, RS485 support auto flow control, (ESD protection for RS232: Air gap ±8KV, Contact ±6KV)
	Ethernet	4 x Intel GbE LAN controller
	VGA	Support up to 1920 x 1080 @60Hz
	HDMI	Support up to 3840 x 2160 @60Hz
	Expansions	2 x Full-size PCIe Mini slot with SIM card holder(with USB signal)
	Watch Dog	1~255 levels programmable
Remote ON-OFF	1 x Remote ON-OFF	
OS Support	Microsoft Windows	Windows 10 IoT
	Linux	Ubuntu, CentOS, Debian
Power	Voltage Input	DC12~24V ±10%, overcurrent, overvoltage and polarity inverse protection
	Power Consumption	Max. 120W
Chassis	Structure	Aluminum-magnesium alloy BOX with fan embedded to assist cooling, Wall-mounted or DIN-Rail fixing style.
	Dimensions	(L)200mm x (W)154.5mm x (H)74.6mm
	Net Weight	2.2Kg
Environment	Work Temperature	-20°C ~ 60°C (-4°F~140°F) with air flow (SSD)
	Storage Temperature	-40°C ~ 80°C (-40°F ~ 176°F) with air flow (SSD)
	Relative Humidity	5~95% (Non-condensing)
	Operating Vibration	5~500Hz, 1.5Grms@with SSD, Follow IEC60068-2-64
	Operating Shock	20G peak acceleration(11ms duration) with SSD, Follow IEC60068-2-27
EMC	CE/FCC Class A	

■ Dimensions (Unit: mm)



■ Interfaces



■ Ordering Information

Part No.	Product	Description
6070200110	NP-6123-HDD	CPU:NULL, RAM:NULL, mSATA:NULL, SATA:NULL, 1 x RS-232/485(Selectable), 4 x LAN, 4 x USB3.0,VGA/HDMI display port, DC12~24V Power input

■ Options

Parts	Description	
CPU	Intel® Pentium	G3900,G4400
	Intel® Core™ Skylake	I3-6100,I3-6100T,I5-6400,I5-6400T,I5-6500,I5-6500T, I7-6700,I7-6700T
	Intel® Core™ Kaby Lake	I3-7100,I5-7400,I5-7500,I7-7700,I7-7700T
	Intel® Core™ Coffee Lake	I3-8100,I5-8400,I5-8500,I7-8700
DDR4 Memory	DDR4-2400MHz , 4GB, 8GB, 16GB	
mSATA SSD	64GB, 128GB, 256GB, 512GB, 1TB	
2.5" SATA SSD	1TB, 2TB	
Wifi Set	miniPCIE WIFI Set (7260 series) ,Cylindrical antenna	
3G/4G Module	mini PCIE, EC20, EG25, EC25	
Mount Option	DIN-Rail	

Note: If some optional parts are offered with the system, additional system certificates may be required in certain regions/countries. Please contact NODKA for certificate compliance.