

## NP-6122-H7

- Desktop-class high-performance CPU
- High-performance embedded industrial computer for machine vision industry

### ■ Features

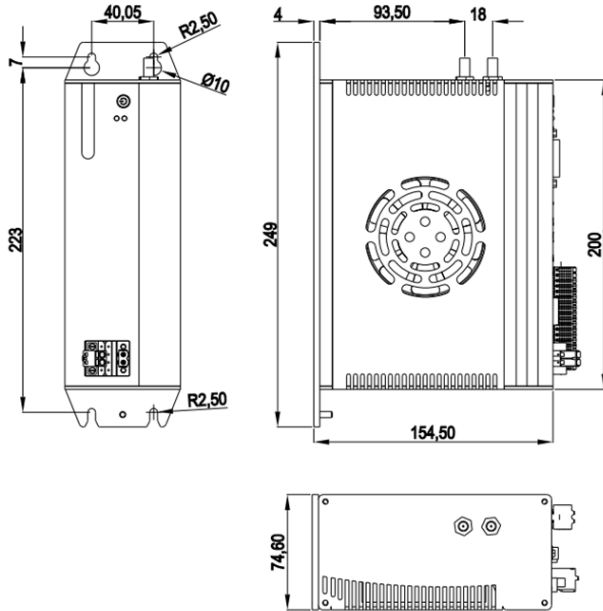
- Support Intel® Core™ 6th/7th/8th generation i3/i5/i7/ Pentium/Celeron LGA1151 type CPU
- 2 x Intel GbE LAN controller
- 8 x USB3.0 ports, 1 x USB2.0 Type A on board for dongle
- 2 x RS232/RS485, RS485 support auto flow control
- Support both DVI-D and HDMI display port
- 1 x miniPCIe expansion slot, Support Wifi,3G/4G modules
- 16 x Isolated DIO (8 x DI, 8 x DO)
- 4 x Light PWM control , support light trigger inputs
- DC12~24V Power supply with overcurrent, overvoltage and polarity inverse protection
- Opt support wall-mounted or DIN-Rail fixing style
- Wide operating temperature -20 ~ 60°C supported



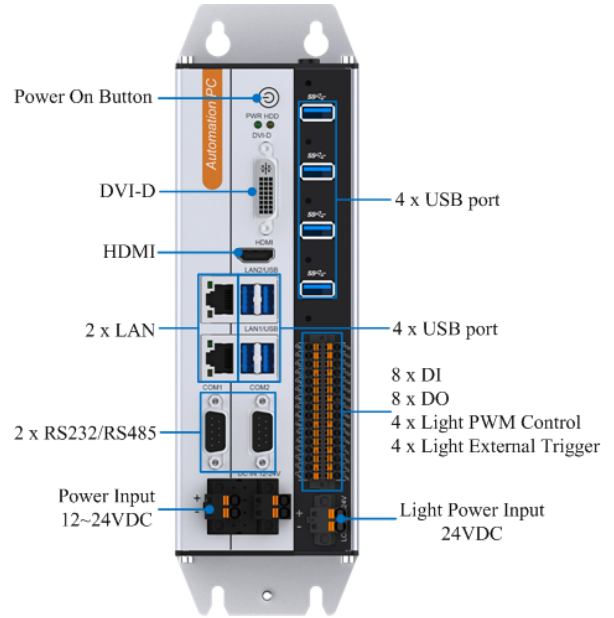
### ■ Specifications

Product Name		NP-6122-H7
System	CPU	Intel® Core™ 6th/7th/8th gen i7/i5/i3/Pentium/Celeron LGA1151 type CPU
	TDP	Max. 65W
	BIOS	AMI UEFI 64Mbit
	Memory	2 x SO-DIMM DDR4, max up to 32GB
	Storage	1 x mSATA bay 1 x M.2(B Key, Type 2280)SSD bay support SATA
	USB	8 x USB3.0, 1 x USB2.0 Type A on board for USB dongle
	COM	2 x COM(DB9 male), RS232 or RS485 mode can be configured by toggle switch.RS485 support automatic flow control, (ESD protection for RS232: Air gap ±8KV, Contact ±6KV)
	Ethernet	2 x Intel GbE LAN controller
	DI	8 x DI NPN/PNP
	DO	8 x DO, transistorized output, I <sub>max</sub> :0.5A
	Light Control	4 x Light PWM Control , 4 x Light External Trigger, Light independently powered DC24V,I <sub>max</sub> :1A per channel
	DVI-D	Support up to 1920 x 1080 @60Hz
	HDMI	Support up to 3840 x 2160 @60Hz
	Expansions	1 x Full-size PCIe Mini slot with SIM card holder
	Watchdog	1~255 level programmable
OS Support	Microsoft Windows	Windows 10
	Linux	Ubuntu, CentOS, Debian
Power	Voltage input	DC12~24V ±10%,over-current, over-voltage and polarity inverse protection
	Power Consumption	Max.120W(Light independently powered, according to the power consumption configuration the power supply)
Chassis	Structure	Aluminum-magnesium alloy BOX with fan embedded to assist cooling, Wall-mounted or DIN-Rail fixing style
	Dimension	(L)200mm x (W)154.5mm x (H)74.6mm
	Net Weight	2.4Kg
Environment	Work Temperature	-20°C ~ 60°Cwith air flow (SSD)
	Storage Temperature	-40°C ~ 80°Cwith air flow (SSD)
	Relative Humidity	5~95% (Non-condensing)
	Operating Vibration	5~500Hz, 1.5Grms@with SSD, Follow IEC60068-2-64
	Operating Shock	20G peak acceleration(11ms duration) with SSD, Follow IEC60068-2-27
EMC	CE/FCC Class A	

## ■ Dimensions (Unit:mm)



## ■ Interfaces



## ■ Ordering Information

Material No.	Product Name	Description
B73.61220.09.0001	NP-6122-H7	CPU:NULL, RAM:NULL, mSATA:NULL, M.2 SATA:NULL, 2 x RS232/485(Selectable), 2 x LAN, 8 x USB3.0, DVI-D/HDMI display, 8 x DI, 8 x DO, 4 x Light PWM Control, 4 x Light External Trigger, Light independently powered DC24V, DC12~24V power Input

## ■ Optional Parts

Rplacement	Description	
CPU	Intel® Pentium	G3900,G4400
	Intel® Core™ Skylake	I3-6100,I3-6100T,I5-6400,I5-6400T,I5-6500,I5-6500T,I7-6700,I7-6700T
	Intel® Core™ Kaby Lake	I3-7100,I5-7400,I5-7500,I7-7700,I7-7700T
	Intel® Core™ Coffee Lake	I3-8100,I5-8400,I5-8500,I7-8700
DDR4 Memory	DDR4-2400MHz, 4GB, 8GB, 16GB	
mSATA SSD	64GB, 128GB, 256GB, 512GB, 1TB	
M.2 SATA SSD	128GB, 256GB, 512GB, 1TB, 2TB	
Wifi Kit	miniPCIe WIFI Kit(7260 Series), Cylindrical Antenna	
3G/4G Module	mini PCIe, EC20, EG25, EC25	
Installation	DIN-Rail	

Note: If some optional parts are offered with the system, additional system certificates may be required in certain regions/countries. Please contact NODKA for certificate compliance.