

NP-6117

■ Fanless, Low power consumption

■ Features

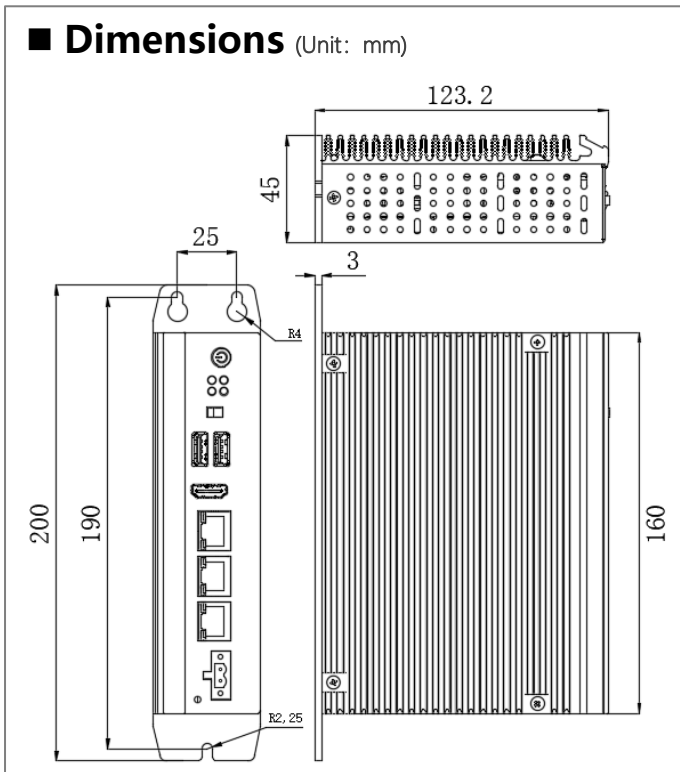
- 1 x Intel I210AT GbE LAN controller
- 2 x RTL8111H GbE LAN controller
- 2 x USB on the front, 1 x USB2.0 on board for USB dongle
- 1 x RS232, 1 x RS485
- 1 x Programmable LED, 1 x Programmable Switch
- 1 x DI, 1 x DO
- 1 x miniPCIE expansion slot, support Wifi,3G/4G modules
- Support wall-mounted or DIN-Rail fixing style
- Wide operating temperature -20 ~ 60°C supported



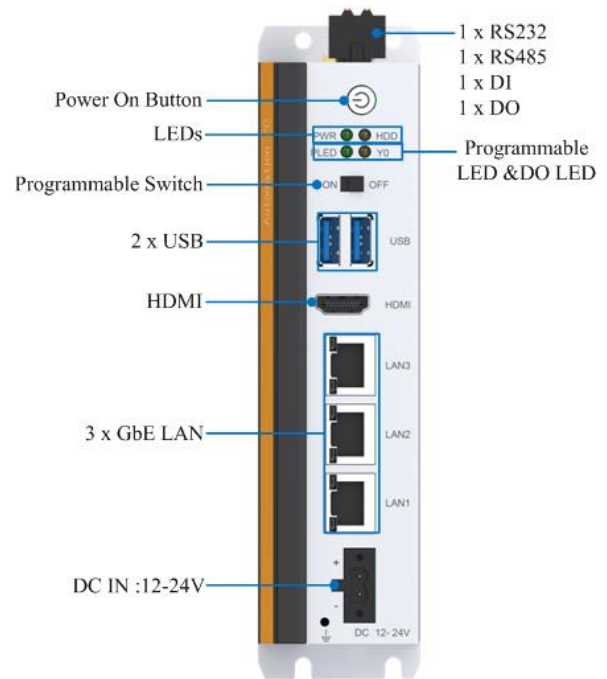
■ Specifications

| Model Name | | NP-6117-J1900 | NP-6117-J6412 |
|-------------|---------------------|--|---|
| System | CPU | Intel® Celeron J1900, 2.0~2.41GHz, 4 cores/4 threads, 2MB L2 cache | Intel® Celeron J6412, 2.0~2.6GHz, 4 cores/4 threads, 1.5MB L2 cache |
| | TDP | 10W | |
| | BIOS | AMI UEFI 64Mbit | |
| | Memory | 1 x SO-DIMM DDR3L-1333MHz (max. 8GB) | 1 x SO-DIMM DDR4-2400MHz (max. 32GB) |
| | Storage | 1 x mSATA SSD bay | |
| | USB | 1 x USB3.0, 1 x USB2.0 1 x USB2.0 Type A on the board for USB dongle | 2 x USB3.0 |
| | COM | 1 x RS232, 1 x RS485 | |
| | Ethernet | 1 x Intel I210AT GbE LAN controller 2 x RTL8111H GbE LAN controller | |
| | DI | 1 x DI; 1 x Programmable Switch | |
| | DO | 1 x DO, Transistor output; 1 x Programmable LED | |
| | HDMI | Support up to 1920 x 1080 | Support up to 4096 x 2160 |
| | Expansions | 1 x Full-size PCIe Mini slot with SIM card holder(with USB signal) | |
| | Watch Dog | 1~255 levels programmable | |
| | OS Support | Microsoft Windows | Windows 10 |
| Linux | | Ubuntu | |
| Power | Voltage Input | DC12/24V ±10%, overcurrent, overvoltage and polarity inverse protection. | |
| | Power Consumption | Max. 45W | |
| Chassis | Structure | Fanless, Wall-mounted or DIN-Rail | |
| | Dimensions | (L)160mm x (W)123.2mm x (H)45mm | |
| | Net Weight | 1.1Kg | |
| Environment | Work Temperature | -20°C ~ 60°C (-4°F~140°F) with air flow (SSD) | |
| | Storage Temperature | -40°C ~ 80°C (-40°F ~ 176°F) with air flow (SSD) | |
| | Relative Humidity | 5~95% (Non-condensing) | |
| | Operating Vibration | 5~500Hz, 1.5Grms@with SSD, Follow IEC60068-2-64 | |
| | Operating Shock | 20G peak acceleration(11ms duration) with SSD, Follow IEC60068-2-27 | |
| EMC | CE/FCC Class A | | |

■ Dimensions (Unit: mm)



■ Interfaces



■ Ordering Information

| Part No. | Product | Description |
|------------|---------------|--|
| 6070200210 | NP-6117-J6412 | CPU:J6412, RAM:NULL, mSATA: NULL, 1 x RS232, 1 x RS485, 3 x LAN,2 x USB3.0, HDMI, 1 x DI, 1 x DO, DC12/24V Power Input |
| 6070200204 | NP-6117-J1900 | CPU:J1900, RAM:NULL, mSATA: NULL, 1 x RS232, 1 x RS485, 3 x LAN,1 x USB3.0, 1 x USB2.0, HDMI, 1 x DI, 1 x DO, DC12/24V Power Input |

■ Options

| Parts | Description |
|---------------|--------------------------------|
| DDR3L Memory | DDR3L-1333MHz: 4GB, 8GB |
| DDR4 Memory | DDR4-2400MHz: 4GB, 8GB, 16GB |
| mSATA SSD | 64GB, 128GB, 256GB, 512GB, 1TB |
| Wifi Set | Intel AX210 wifi 6E M.2 Set |
| 3G/4G Modules | mini PCIE: EC20, EG25, EC25 |
| Mount Option | DIN-Rail, Wall mounted |

Note: If some optional parts are offered with the system, additional system certificates may be required in certain regions/countries. Please contact NODKA for certificate compliance.