

# NP-6111-JH2

- Fanless, Low power consumption
- PoE, DIO and Light Control all in one

## ■ Features

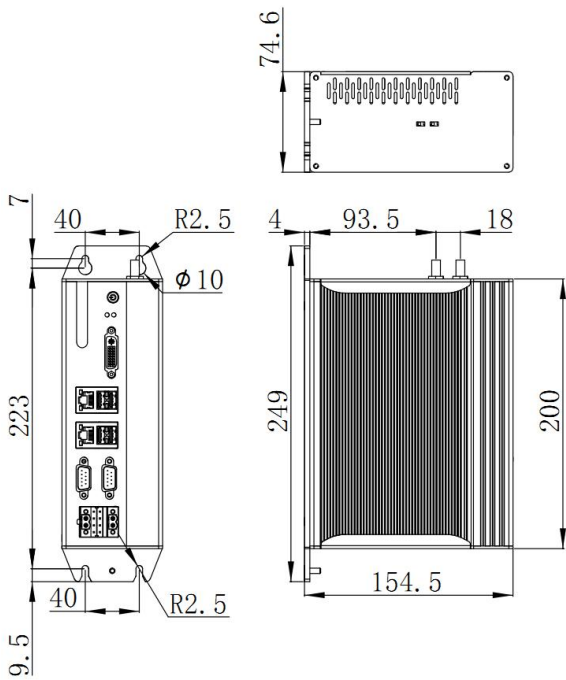
- 2 x Intel GbE LAN controller
- 4 x USB on the front, 1 x USB2.0 on board for USB dongle
- 2 x RS232/485, RS485 support auto flow control
- 2 x Intel GbE PoE LAN, max. 15w per channel.
- 4 x PWM light control support external trigger input
- 8 x isolated DI, 8 x isolated DO
- 1 x miniPCIE expansion slot, support 3G/4G modules
- DC12~24V Power supply with overcurrent, overvoltage and polarity inverse protection
- Support wall-mounted or DIN-Rail fixing style
- Fully enclosed structure, fanless and no cable design
- Wide operating temperature -20 ~ 60°C supported



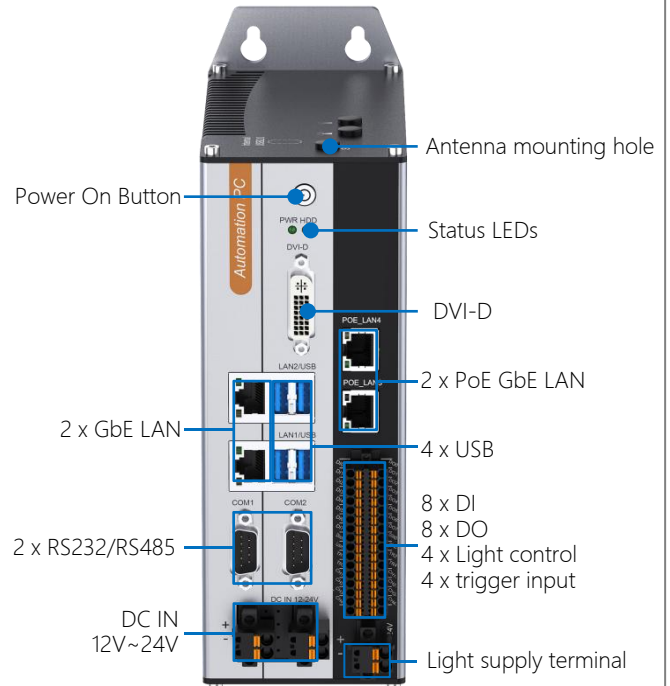
## ■ Specifications

Model Name		NP-6111-JH2-J1900	NP-6111-JH2-J6412	NP-6111-JH2-N305	NP-6111-JH2-N97
System	CPU	Intel® Celeron J1900, 2.0GHz, 4 cores/4 threads, 2MB L2 cache	Intel® Celeron J6412, 2.0~2.6GHz, 4 cores/4 threads, 1.5MB L2 cache	Intel® Core i3-N305, 8 cores/8 threads, 6M Intel® Smart Cache, up to 3.8GHz	Intel® Processor N97, 4 cores, 6MB Intel® Smart Cache, up to 3.6GHz
	TDP	10W		15W	12W
	BIOS	AMI UEFI BIOS			
	Memory	1 x SO-DIMM DDR3L-1333MHz (max. 8GB)	1 x SO-DIMM DDR4-2400MHz (max. 16GB)	1 x SO-DIMM DDR5-4800MHz (max. 16GB)	
	Storage	1 x mSATA bay			
	USB	1 x USB3.0, 3 x USB2.0	2 x USB3.0, 2 x USB2.0		
		1 x USB2.0 Type A on the board for USB dongle			
	COM	2 x COM(DB-9), selectable to support RS232 or RS485 mode by the switch, RS485 support auto flow control, (ESD protection for RS232: Air gap ±8KV, Contact ±6KV)			
	Ethernet	2 x Intel GbE LAN controller			
	PoE	2 x Intel GbE PoE LAN controller, max. 15W per channel			
	DI	8 x DI NPN/PNP, isolated 3750 Vrms			
	DO	8 x DO, Transistor output, I <sub>max</sub> :0.5A per channel, isolated 3750 Vrms			
	Light Control	4 x PWM Light power control with external trigger input, I <sub>max</sub> : 1A per channel			
	DVI-D	Support up to 1920 x 1080 @ 60Hz			
	Expansions	1 x Full-size PCIe Mini slot with SIM card holder(with USB signal)			
	Watch Dog	1~255 levels programmable			
OS Support	Microsoft Windows	Windows 10 IoT			
	Linux	Ubuntu, CentOS, Debian			
Power	Voltage Input	DC12~24V ±10%, overcurrent, overvoltage and polarity inverse protection, (Light source independent power supply)			
	Power Consumption	Max. 90W, The light source is powered independently, and the power supply is selected according to the actual use			
Chassis	Structure	Aluminum-magnesium alloy box, Fanless, Wall-mounted or DIN-Rail			
	Dimensions	(L)200mm x (W)154.5mm x (H)74.6mm			
	Net Weight	2.1Kg			
Environment	Work Temperature	-20°C ~ 60°C (-4°F~140°F) with air flow (SSD)			
	Storage Temperature	-40°C ~ 80°C (-40°F ~ 176°F) with air flow (SSD)			
	Relative Humidity	5~95% (Non-condensing)			
	Operating Vibration	5~500Hz, 1.5Grms@with SSD, Follow IEC60068-2-64			
	Operating Shock	20G peak acceleration(11ms duration) with SSD, Follow IEC60068-2-27			
EMC	CE/FCC Class A				

## ■ Dimensions (Unit: mm)



## ■ Interfaces



## ■ Ordering Information

Part No.	Product	Description
B73.61110.01.0001	NP-6111-JH2-J1900	CPU:J1900,RAM:NULL, mSATA: NULL , 2 x COM(RS232/485 selectable) , 2 x LAN, 1 x USB3.0, 3 x USB2.0, DVI-D, 2 x PoE LAN, 8 x DI, 8 x DO, 4 x PWM output, DC12~24V Power input(Light source independent power supply)
B73.61110.01.0005	NP-6111-JH2-J6412	CPU:J6412,RAM:NULL, mSATA: NULL , 2 x COM(RS232/485 selectable) , 2 x LAN, 2 x USB3.0, 2 x USB2.0, DVI-D, 2 x PoE LAN, 8 x DI, 8 x DO, 4 x PWM output, DC12~24V Power input(Light source independent power supply)
B73.61110.01.0006	NP-6111-JH2-N305	CPU:N305,RAM:NULL, mSATA: NULL , 2 x COM(RS232/485 selectable) , 2 x LAN, 2 x USB3.0, 2 x USB2.0, DVI-D, 2 x PoE LAN, 8 x DI, 8 x DO, 4 x PWM output, DC12~24V Power input(Light source independent power supply)
B73.61110.01.0007	NP-6111-JH2-N97	CPU:N97,RAM:NULL, mSATA: NULL , 2 x COM(RS232/485 selectable) , 2 x LAN, 2 x USB3.0, 2 x USB2.0, DVI-D, 2 x PoE LAN, 8 x DI, 8 x DO, 4 x PWM output, DC12~24V Power input(Light source independent power supply)

## ■ Options

Parts	Description
DDR3L Memory	DDR3L-1333MHz: 4GB, 8GB
DDR4 Memory	DDR4-2400MHz: 4GB, 8GB, 16GB
DDR5 Memory	DDR5-4800MHz: 8GB, 16GB
mSATA SSD	64GB, 128GB, 256GB, 512GB, 1TB
3G/4G Module	mini PCIE: EC20, EG25, EC25
Mount Option	DIN-Rail

Note: If some optional parts are offered with the system, additional system certificates may be required in certain regions/countries. Please contact NODKA for certificate compliance.